

CLIENT: S&P USA Ventilation Systems, LLC
6393 Powers Avenue
Jacksonville, Florida 32217

Project No: 20-2102

Report Date: 9/3/2020

SAMPLE ID: Series: STXB08, STXB48, SDB06 AND SDB48 Fans

SAMPLING DETAIL: The test sample manufactured by S&P USA Ventilation Systems, LLC was submitted directly to FTL by the client. Samples were not independently selected for testing.

DATE OF RECEIPT: Samples were received at the FTL Miami Laboratory on June 3, 2020.

TESTING PERIOD: June 15, 2020 to August 4, 2020.

TESTING LOCATION: Fenestration Testing Laboratory (FTL) – Miami, Florida, USA

AUTHORIZATION: Proposal 20AM04131, signed by Jerry Xiong, dated Month April 13, 2020.

TEST PROCEDURE: Testing to the following requirements:

- TAS 201-94 Impact Test Procedures

TEST RESULTS: The fans achieved passing results found within this test report when tested in accordance with the TAS 201.

CONTENTS: Test report pages 1 through 7.

Prepared By

Lusinda Delgado

Lusinda Delgado
Technical Report Writer

Signed for and on behalf of
Fenestration Testing Laboratory

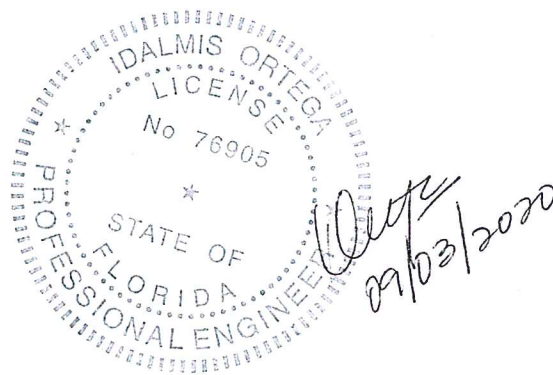
Jose Sanchez

Jose Sanchez
Operation Manager

Table of Contents	Page	Rev	Sample C-1	Page	Rev
Revision Table	3		Description of Test Sample	6	
Notes Table	3		Additional Information	6	
Remarks Table	3		Test Sample Installation	6	
Sample A-1			Results Sample C-1		
Description of Test Sample	4		Large Missile Impact	TAS 201	6
Additional Information	4		Sample D-1		
Test Sample Installation	4		Description of Test Sample		7
Results Sample A-1			Additional Information		7
Large Missile Impact	TAS 201		Test Sample Installation		7
Sample B-1			Results Sample D-1		
Description of Test Sample	5		Large Missile Impact	TAS 201	7
Reinforcement	5		Appendix A		7
Additional Information	5		Appendix B		7
Test Sample Installation	5				
Results Sample B-1					
Large Missile Impact	TAS 201	5			

Technician:
 Thomas Forrest

Professional Engineer:
 W/E: Idalmis Ortega, P.E.
 FL License No. 76905



THIS REPORT IS THE CONFIDENTIAL PROPERTY OF THE CLIENT ADDRESSED. THE REPORT MAY ONLY BE REPRODUCED IN FULL. PUBLICATION OF EXTRACTS FROM THIS REPORT IS NOT PERMITTED WITHOUT WRITTEN APPROVAL FROM QAI. ANY LIABILITY ATTACHED THERETO IS LIMITED TO THE FEE CHARGED FOR THE INDIVIDUAL PROJECT FILE REFERENCED. THE RESULTS OF THIS REPORT PERTAIN ONLY TO THE SPECIFIC SAMPLE(S) EVALUATED.

Revision	Description	Effective Date
0	Initial Release	9/3/2020

Notes
<p>* designates measurements by laboratory ** as per manufacturer Fenestration Testing Laboratory Inc., does not have, nor does it intend to acquire or will acquire, a financial interest in any company manufacturing or distributing products tested or labeled by the Fenestration Testing Laboratory Inc. Fenestration Testing Laboratory Inc., is not owned, operated or controlled by any company manufacturing or distributing products it tests or labels.</p> <p>Drawings referenced in this document are an integral part of this report, therefore, are required when distributing this test report. Test results obtained represent the actual value of the tested specimens and do not constitute opinion, endorsement or certification by this laboratory.</p> <p>Prior to testing and at conclusion of testing the fan/motor ran and operated correctly.</p>

Remarks
<p>Detailed drawings and digital video disc of testing will be retained by Fenestration Testing Laboratory for a period of five years from the original test date, and test report for a period of ten years. Due to the code cycle change of four years, it is recommended that this report be evaluated during the lifespan of this document.</p> <p>This product was tested in accordance with the Florida Building Code (2017) TAS 201 with the deviation that only one sample was tested. Sample tested meets Section 1626 of this Code.</p> <p>This report is not completed without the report for laboratory number 12237 (loads).</p>

THIS REPORT IS THE CONFIDENTIAL PROPERTY OF THE CLIENT ADDRESSED. THE REPORT MAY ONLY BE REPRODUCED IN FULL. PUBLICATION OF EXTRACTS FROM THIS REPORT IS NOT PERMITTED WITHOUT WRITTEN APPROVAL FROM QAI. ANY LIABILITY ATTACHED THERETO IS LIMITED TO THE FEE CHARGED FOR THE INDIVIDUAL PROJECT FILE REFERENCED. THE RESULTS OF THIS REPORT PERTAIN ONLY TO THE SPECIFIC SAMPLE(S) EVALUATED.

DESCRIPTION OF SAMPLE	
Model Designation:	Series: STXB48 Fan
Overall Size:	4'-6 1/4" (54 1/4") by 5'-0 3/16" (60 3/16") tall
Sample A-1	

Additional Information
<p>Roof curb: One 56 1/2" by 56 1/2" by 24" tall by 18-gauge galvanized steel with welded corner. One 16-gauge galvanized steel curb adapter with welded corners. The curb adapter was fastened to the roof curb using a single row of 5/16-18 by 1 1/2" HWH Flex SDS spaced 6 3/4" on center.</p> <p>Fan: One aluminum drive cover cap fastened to a 23 7/8" tall aluminum drive cover using a single row of No. 14 by 1/2" HWH SMS spaced 18" on center. The drive cover was fastened to a 12-gauge galvanized steel drive support plate using a single row of No. 14 by 3/4" HWH SMS spaced 18" on center. The drive support plate was fastened to the support legs using one 5/16-18 by 3/4" HH MS. One 22 1/2" tall aluminum wind band fastened to a 31 1/2" tall aluminum shroud using a single row of No. 14 by 3/4" HWH SDS spaced 18" on center. The shroud was fastened to the base panel using a tie down cable. The tie down cable was fastened to the shroud using one 5/16-18 by 3/4" HH MS and to the base panel using one 5/16-18 by 1 1/2" HWH Flex SDS with a 5/16" flat washer.</p>

Sample Installation
<p>The roof curb was installed onto a 15/32 plywood sheeting with 2" by 6" yellow pine perimeter and intermediate supports. The roof curb flange was fastened to the 2" by 6" supports using a single row of 3/8" by 2 3/4" HH lag bolt spaced 4" on center.</p>

Sample: A-1	Temperature: 78.6°F	Barometric Reading: 30.0 inches Hg	
Title of Test	Notes		
Large Missile Impact Test			
Missile Weight	Missile		
9.5 pounds	2" by 4" by 92" long		
see appendix A			
Impact	Speed	Results	Add. Info
1	49.8 ft/sec	Passed	
2	51.0 ft/sec	Passed	
3	50.8 ft/sec	Passed	

THIS REPORT IS THE CONFIDENTIAL PROPERTY OF THE CLIENT ADDRESSED. THE REPORT MAY ONLY BE REPRODUCED IN FULL. PUBLICATION OF EXTRACTS FROM THIS REPORT IS NOT PERMITTED WITHOUT WRITTEN APPROVAL FROM QAI. ANY LIABILITY ATTACHED THERETO IS LIMITED TO THE FEE CHARGED FOR THE INDIVIDUAL PROJECT FILE REFERENCED. THE RESULTS OF THIS REPORT PERTAIN ONLY TO THE SPECIFIC SAMPLE(S) EVALUATED.

DESCRIPTION OF SAMPLE	
Model Designation:	Series: SDB48 Fan
Overall Size:	4'-6 1/4" (54 1/4") by 4'-10 1/8" (58 1/8") tall
Sample B-1	

Reinforcement		
Quantity and Type	Location	Method of Attachment
One 12" tall by 12-gauge galvanized steel reinforcement band assembly	Bottom of bird screen	(2) 14 by 3/4" HWH SMS

Additional Information
<p>Roof curb: One 56 1/2" by 56 1/2" by 24" tall by 18-gauge galvanized steel with welded corner. One 16-gauge galvanized steel curb adapter with welded corners. The curb adapter was fastened to the roof curb using a single row of 5/16-18 by 1 1/2" HWH Flex SDS spaced 6 3/4" on center.</p> <p>Fan: One aluminum drive cover cap fastened to a 22" tall aluminum drive cover using a single row of No. 14 by 1/2" HWH SMS spaced 18" on center. The drive cover was fastened to a 12-gauge galvanized steel drive support plate using a single row of No. 14 by 3/4" HWH SMS spaced 18" on center. The drive support plate was fastened to the vertical legs using one 5/16-18 by 3/4" HH MS. One 17 3/4" tall aluminum skirt fastened to the horizontal legs using one 5/16-18 by 3/4" HH MS. One 29 3/4" tall aluminum bird screen fastened to the vertical leg using two 5/16"-18 by 3/4" HWH SMS. The vertical legs were fastened to the base panel using one tie down cable. The tie down cable was fastened to the vertical legs using one 5/16-18 by 3/4" HH MS and to the base panel using one 5/16-18 by 1 1/2" HWH Flex SDS with a 5/16" flat washer.</p>

Sample Installation
The roof curb was installed onto a 15/32 plywood sheeting with 2" by 6" yellow pine perimeter and intermediate supports using a single row of 3/8" by 2 3/4" HH lag bolt spaced 4" on center.

Sample: B-1	Temperature: 76.8°F	Barometric Reading: 30.0 inches Hg	
Title of Test	Notes		
Large Missile Impact Test			
Missile Weight	Missile		
9.5 pounds	2" by 4" by 92" long		
see appendix B			
Impact	Speed	Results	Add. Info
1	50.4 ft/sec	Passed	
2	49.9 ft/sec	Passed	
3	49.0 ft/sec	Passed	

THIS REPORT IS THE CONFIDENTIAL PROPERTY OF THE CLIENT ADDRESSED. THE REPORT MAY ONLY BE REPRODUCED IN FULL. PUBLICATION OF EXTRACTS FROM THIS REPORT IS NOT PERMITTED WITHOUT WRITTEN APPROVAL FROM QAI. ANY LIABILITY ATTACHED THERETO IS LIMITED TO THE FEE CHARGED FOR THE INDIVIDUAL PROJECT FILE REFERENCED. THE RESULTS OF THIS REPORT PERTAIN ONLY TO THE SPECIFIC SAMPLE(S) EVALUATED.

DESCRIPTION OF SAMPLE	
Model Designation:	Series: SDB06 Fan
Overall Size:	1'-6" (18") by 2'-6 1/8" (30 1/8") tall
Sample C-1	

Reinforcement		
Quantity and Type	Location	Method of Attachment
One 3" tall by 12-gauge galvanized steel reinforcement band assembly	Bottom of bird screen	(2) 14 by 3/4" HWH SMS

Additional Information
<p>Roof curb: One 16 1/2" by 16 1/2" by 24" tall by 18-gauge galvanized steel with welded corner.</p> <p>Fan: One 14" tall aluminum motor cover fastened to a 16-gauge motor support plate using four motor cover brackets, each with one 5/16-18 by 1 1/2" HWH Flex SDS with a 5/16" flat washer. The motor support plate was fastened to the vertical leg using one 5/16-18 by 3/4" HWH MS. One 8 1/2" tall aluminum skirt fastened to the vertical leg with the same motor support plate fastened. One 11 3/4" tall aluminum bird screen fastened to the vertical legs using two 5/16-18 by 3/4" HWH SMS. The vertical legs were fastened to the base panel using one tie down cable. The tie down cable was fastened to the vertical legs using one 5/16-18 by 3/4" HH MS and to the base panel using one 5/16-18 by 1 1/2" HWH Flex SDS with a 5/16" flat washer.</p>

Sample Installation
The roof curb was installed onto a 15/32 plywood sheeting with 2" by 6" yellow pine perimeter and intermediate supports using a single row of 3/8" by 2 3/4" HH lag bolt spaced 4" on center.

Sample: C-1	Temperature: 77.5°F	Barometric Reading: 30.0 inches Hg	
Title of Test	Notes		
Large Missile Impact Test			
Missile Weight	Missile		
9.5 pounds	2" by 4" by 92" long		
see appendix B			
Impact	Speed	Results	Add. Info
1	51.0 ft/sec	Passed	
2	51.0 ft/sec	Passed	
3	50.6 ft/sec	Passed	

THIS REPORT IS THE CONFIDENTIAL PROPERTY OF THE CLIENT ADDRESSED. THE REPORT MAY ONLY BE REPRODUCED IN FULL. PUBLICATION OF EXTRACTS FROM THIS REPORT IS NOT PERMITTED WITHOUT WRITTEN APPROVAL FROM QAI. ANY LIABILITY ATTACHED THERETO IS LIMITED TO THE FEE CHARGED FOR THE INDIVIDUAL PROJECT FILE REFERENCED. THE RESULTS OF THIS REPORT PERTAIN ONLY TO THE SPECIFIC SAMPLE(S) EVALUATED.

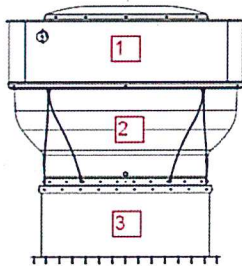
DESCRIPTION OF SAMPLE	
Model Designation:	Series: STXB08 Fan
Overall Size:	1'-6" (18") by 2'-5 5/16" (29 5/16") tall
Sample D-1	

Additional Information
<p>Roof curb: One 16 1/2" by 16 1/2" by 24" tall by 18-gauge galvanized steel with welded corner.</p> <p>Fan: One aluminum drive cover cap fastened to a 11" tall aluminum drive cover using a single row of No. 14 by 1/2" HWH SMS spaced 22" on center. The drive cover was fastened to a 14-gauge galvanized steel drive support plate using a single row of No. 14 by 3/4" HWH SMS spaced 7" on center. The drive support plate was fastened to the support legs using one 5/16-18 by 3/4" HH MS. One 11" tall aluminum wind band fastened to a 11" tall aluminum shroud using a single row of No. 14 by 3/4" HWH SDS spaced 10" on center. The shroud was fastened to the base panel using a tie down cable. The tie down cable was fastened to the shroud using one 5/16-18 by 3/4" HH MS and to the base panel using one 5/16-18 by 1 1/2" HWH Flex SDS with a 5/16" flat washer.</p>

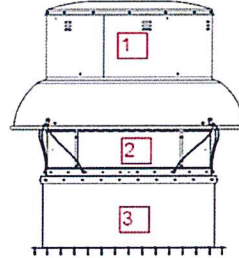
Sample Installation
The roof curb was installed onto a 15/32 plywood sheeting with 2" by 6" yellow pine perimeter and intermediate supports. The roof curb flange was fastened to the 2" by 6" supports using a single row of 3/8" by 2 3/4" HH lag bolt spaced 4" on center.

Sample: D-1	Temperature: 78.6°F	Barometric Reading: 30.0 inches Hg	
Title of Test	Notes		
Large Missile Impact Test			
Missile Weight	Missile		
9.5 pounds	2" by 4" by 92" long		
see appendix A			
Impact	Speed	Results	Add. Info
1	49.0 ft/sec	Passed	
2	49.0 ft/sec	Passed	
3	49.3 ft/sec	Passed	

Appendix A



Appendix B




THIS REPORT IS THE CONFIDENTIAL PROPERTY OF THE CLIENT ADDRESSED. THE REPORT MAY ONLY BE REPRODUCED IN FULL. PUBLICATION OF EXTRACTS FROM THIS REPORT IS NOT PERMITTED WITHOUT WRITTEN APPROVAL FROM QAI. ANY LIABILITY ATTACHED THERETO IS LIMITED TO THE FEE CHARGED FOR THE INDIVIDUAL PROJECT FILE REFERENCED. THE RESULTS OF THIS REPORT PERTAIN ONLY TO THE SPECIFIC SAMPLE(S) EVALUATED.

STXB/STXBRHUL MODEL SIZE	STXD/STXDe MODEL SIZE	STXDRHUL/STXDeRHUL MODEL SIZE	A	B	C	D	E	F	G	H	WEIGHT (LBS)
08	06-07-08-0825	-	18	29-5/16	28-5/8	24-5/16	2	22	32-5/16	10	123
10	10	10	18	29-5/16	28-5/8	24-5/16	2	22	32-5/16	10	123
12	12	12	20	30-7/8	31-5/16	25-15/16	2	24	33-7/8	12	137
14	14-1410-1475	14-1410-1475	20	30-7/8	31-5/16	25-15/16	2	24	33-7/8	12	144
15/15HP	15-1515-1575	15-1515-1575	24	31-1/2	36-1/2	26-5/8	2	28	34-1/2	14	159
16/16HP	16-1615	16-1615	24	31-1/2	36-1/2	26-5/8	2	28	34-1/2	14	166
18/18HP	-	-	30	35-3/4	42-5/8	30-1/2	2	34	38-3/4	16	230
20/20HP	-	-	30	38-5/8	46-7/16	30-1/2	2	34	41-5/8	16	233
22/22HP	-	-	30	38-5/8	46-7/16	33-5/16	2	34	41-5/8	16	233
24/24HP	-	-	36	49-1/8	50-1/2	37-1/2	2	40	52-1/8	20	385
27/27HP	-	-	36	51-5/8	61-5/16	41-1/2	2	40	54-5/8	20	413
30/30HP	-	-	42	52-5/16	65-7/16	42-1/4	2	46	55-5/16	22	503
33/33HP	-	-	42	52-5/16	65-7/16	42-1/4	2	46	55-5/16	22	505
36/36HP	-	-	42-5/16	50-11/16	64-1/4	44-1/4	2-1/2	46-5/16	53-11/16	24	592
42	-	-	54-1/4	56-15/16	76-1/8	48-3/16	2-1/2	58-1/4	59-15/16	28	779
48	-	-	54-1/4	60-3/16	80-7/8	52-3/8	2-1/2	58-1/4	63-3/16	30	869

STXB/STXBRHUL MODEL SIZE	J	K	L	M
08	8	8	4	4
10	8	8	4	4
12	8	8	4	4
14	8	8	4	4
15/15HP	8	8	4	4
16/16HP	8	8	4	4
18/18HP	12	8	6	6
20/20HP	12	8	6	6
22/22HP	12	8	6	6
24/24HP	10	8	6	6
27/27HP	10	8	6	6
30/30HP	10	8	6	6
33/33HP	10	8	6	6
36/36HP (<10HP)	10	8	5	5
36/36HP (10HP)	10	8	7	7
42	10	8	5	5
48 (<10HP)	10	8	5	5
48 (10HP)	10	8	7	7

CAD FILE		SSERIESMD		SHL	1
REVISIONS					
REV	DESCRIPTION	BY	DATE	ECN	
--	-----	---	--/--/--	-----	
--	-----	---	--/--/--	-----	
--	-----	---	--/--/--	-----	

DESIGN PRESSURE LOAD RATING			
STXB/STXBRHUL MODEL SIZE	STXD/STXDe MODEL SIZE	STXDRHUL/STXDeRHUL MODEL SIZE	PRESSURE LOAD (PSF)
08	06-07-08-0825	-	± 150
10-16	10-16	10-16	± 150
18-48	-	-	± 80



FENESTRATION TESTING LABORATORY INC.

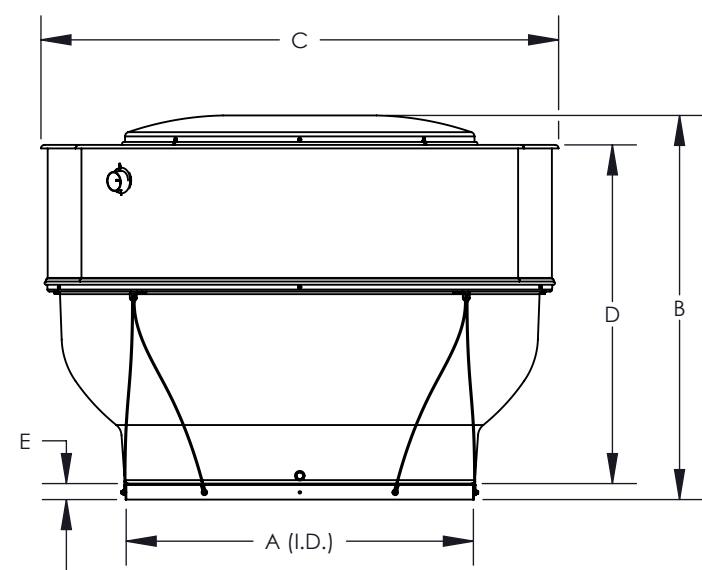
LABORATORY NUMBER: 12235

DATE: 9/3/2020

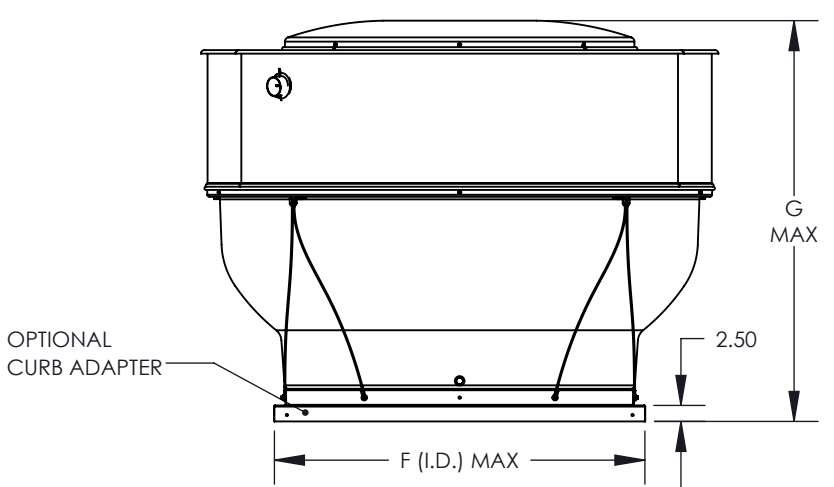
1. MODEL STXB/STXBRHUL/STXD/STXDeRHUL HAVE BEEN SUCCESSFULLY TESTED IN ACCORDANCE WITH FLORIDA BUILDING CODE/MIAMI DADE TEST PROTOCOL TAS 201 (LARGE IMPACT) AND TAS 202 (STATIC PRESSURE LOADING).
2. THIS APPROVAL IS FOR THE STRUCTURAL PERFORMANCE AND IMPACT RESISTANCE ONLY. INTERIOR MECHANISM AND/OR ELECTRICAL CIRCUITRY ARE OUTSIDE THE SCOPE OF THIS APPROVAL.
3. THIS FAN/VENT HAS NOT BEEN TESTED FOR WATER PENETRATION ACCORDING TO FLORIDA BUILDING CODE, TAS 100(A) WIND DRIVEN RAIN TEST. IT CANNOT BE INSTALLED WITHIN THE RIDGE AREA FBC 1523.6.5.2.13.
4. DESIGN, TESTING, AND INSTALLATION CONFORMS TO FLORIDA BUILDING CODE.
5. ROOF STRUCTURE MUST BE DESIGNED TO WITHSTAND THE WEIGHT AND LOADING TRANSMITTED BY THE FANS. FASTENERS SHALL BE AS SPECIFIED AND INSTALLED AS DETAILED.
6. FAN CURBS MUST BE ANCHORED TO ROOF FRAMING MEMBERS.

TEST LAB REVIEW

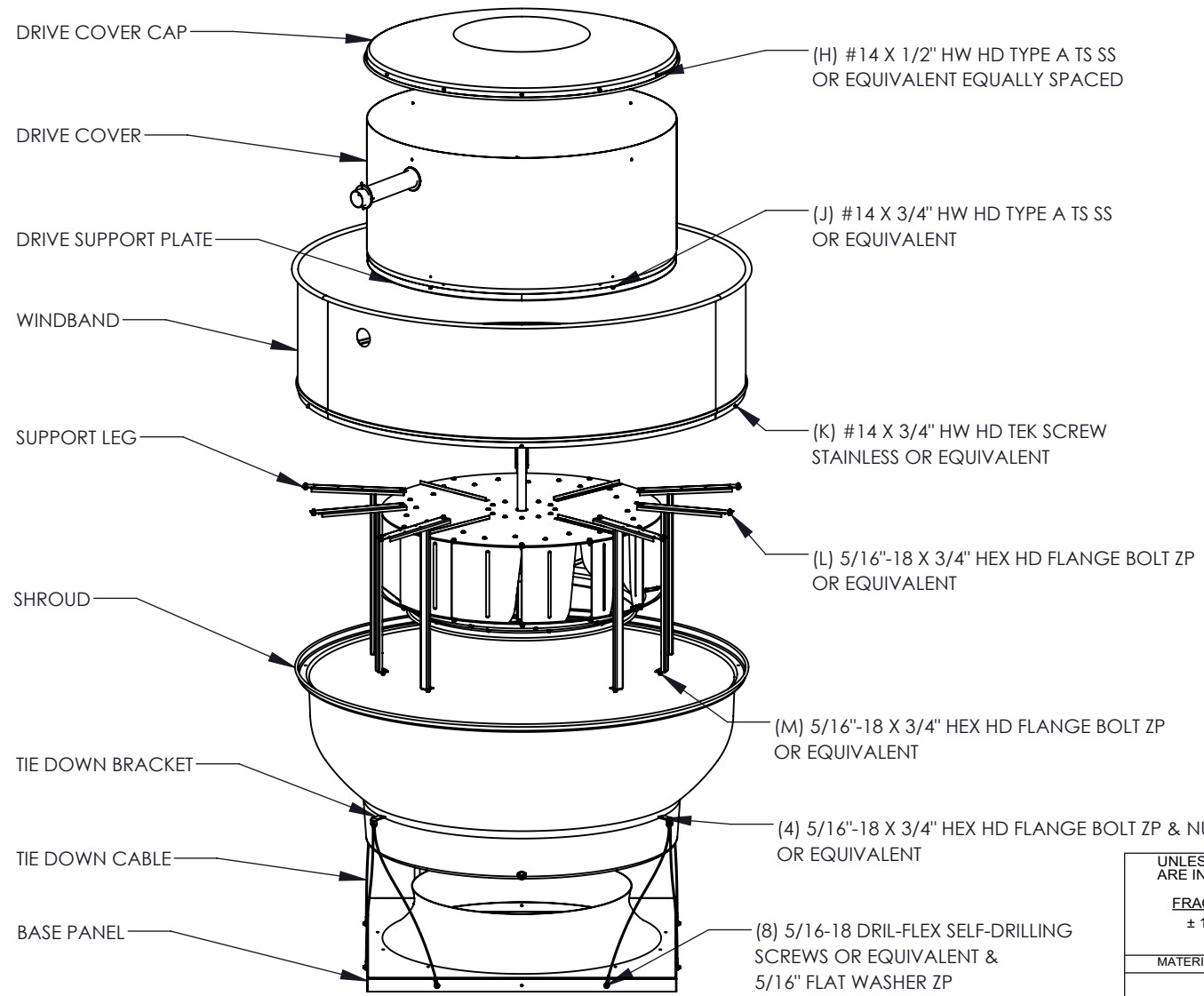
8/8/2020





STANDARD FAN



FAN W/ OPTIONAL CURB ADAPTER

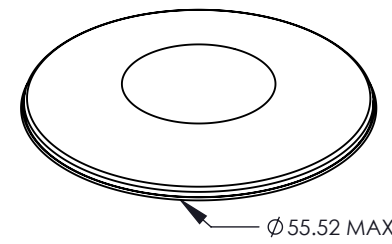


UNLESS OTHERWISE SPECIFIED DIMENSIONS ARE IN INCHES TOLERANCES ARE		THIRD ANGLE PROJECTION			
FRACTIONS ± 1/16	DECIMALS XX ± .03 XXX ± .005	ANGLES ± 1°			
MATERIAL	ESTIMATED WEIGHT(LB)	PROJECT NO.	APPROVALS	DATE	S&P USA JACKSONVILLE, FLORIDA STXB/STXBRHUL/STXD/STXDRHUL MIAMI DADE B SSERIESMD SCALE: 1:30 DO NOT SCALE DRAWING
	EST. SHIPPING DIMS (INCH)	DRAWN BY JX	CHECKED BY	3/26/2020	

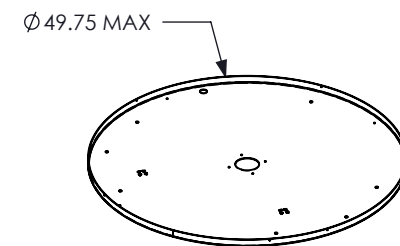
STXB/STXBRHUL MODEL SIZE	STXD/STXDe MODEL SIZE	STXDRHUL/STXDeRHUL MODEL SIZE	BASE PANEL		SHROUD		WINDBAND	
			THICKNESS	MATERIAL	THICKNESS	MATERIAL	THICKNESS	MATERIAL
08	06-07-08-0825	-	0.063	3003-H14 ALUM	0.063	3003-O TEMP ALUM	0.040	3003-H14 ALUM
10	10	10	0.063	3003-H14 ALUM	0.063	3003-O TEMP ALUM	0.040	3003-H14 ALUM
12	12	12	0.063	3003-H14 ALUM	0.063	3003-O TEMP ALUM	0.040	3003-H14 ALUM
14	14-1410-1475	14-1410-1475	0.063	3003-H14 ALUM	0.063	3003-O TEMP ALUM	0.040	3003-H14 ALUM
15/15HP	15-1515-1575	15-1515-1575	0.063	3003-H14 ALUM	0.063	3003-O TEMP ALUM	0.040	3003-H14 ALUM
16/16HP	16-1615	16-1615	0.063	3003-H14 ALUM	0.063	3003-O TEMP ALUM	0.040	3003-H14 ALUM
18/18HP	-	-	0.080	3003-H14 ALUM	0.063	3003-H14 ALUM	0.040	3003-H14 ALUM
20/20HP	-	-	0.080	3003-H14 ALUM	0.063	3003-H14 ALUM	0.040	3003-H14 ALUM
22/22HP	-	-	0.080	3003-H14 ALUM	0.063	3003-H14 ALUM	0.040	3003-H14 ALUM
24/24HP	-	-	0.090	3003-H14 ALUM	0.063	3003-H14 ALUM	0.040	3003-H14 ALUM
27/27HP	-	-	0.090	3003-H14 ALUM	0.063	3003-H14 ALUM	0.040	3003-H14 ALUM
30/30HP	-	-	0.090	3003-H14 ALUM	0.063	3003-H14 ALUM	0.050	3003-H14 ALUM
33/33HP	-	-	0.090	3003-H14 ALUM	0.063	3003-H14 ALUM	0.050	3003-H14 ALUM
36/36HP	-	-	0.090	3003-H14 ALUM	0.063	3003-H14 ALUM	0.050	3003-H14 ALUM
42	-	-	0.100	3003-H14 ALUM	0.080	3003-H14 ALUM	0.050	3003-H14 ALUM
48	-	-	0.100	3003-H14 ALUM	0.080	3003-H14 ALUM	0.050	3003-H14 ALUM

STXB/STXBRHUL MODEL SIZE	STXD/STXDe MODEL SIZE	STXDRHUL/STXDeRHUL MODEL SIZE	DRIVE SUPPORT PLATE		DRIVE COVER		DRIVE COVER CAP	
			THICKNESS	MATERIAL	THICKNESS	MATERIAL	THICKNESS	MATERIAL
08	06-07-08-0825	-	14 GA	G-90 GALV	0.040	3003-H14 ALUM	0.040	3003-H14 ALUM
10	10	10	14 GA	G-90 GALV	0.040	3003-H14 ALUM	0.040	3003-H14 ALUM
12	12	12	14 GA	G-90 GALV	0.040	3003-H14 ALUM	0.040	3003-H14 ALUM
14	14-1410-1475	14-1410-1475	14 GA	G-90 GALV	0.040	3003-H14 ALUM	0.040	3003-H14 ALUM
15/15HP	15-1515-1575	15-1515-1575	14 GA	G-90 GALV	0.040	3003-H14 ALUM	0.040	3003-H14 ALUM
16/16HP	16-1615	16-1615	14 GA	G-90 GALV	0.040	3003-H14 ALUM	0.040	3003-H14 ALUM
18/18HP	-	-	14 GA	G-90 GALV	0.040	3003-H14 ALUM	0.040	3003-H14 ALUM
20/20HP	-	-	14 GA	G-90 GALV	0.040	3003-H14 ALUM	0.040	3003-H14 ALUM
22/22HP	-	-	14 GA	G-90 GALV	0.040	3003-H14 ALUM	0.040	3003-H14 ALUM
24/24HP	-	-	14 GA	G-90 GALV	0.040	3003-H14 ALUM	0.050	3003-H14 ALUM
27/27HP	-	-	14 GA	G-90 GALV	0.040	3003-H14 ALUM	0.050	3003-H14 ALUM
30/30HP	-	-	14 GA	G-90 GALV	0.040	3003-H14 ALUM	0.050	3003-H14 ALUM
33/33HP	-	-	14 GA	G-90 GALV	0.040	3003-H14 ALUM	0.050	3003-H14 ALUM
36/36HP	-	-	14 GA	G-90 GALV	0.050	3003-H14 ALUM	0.050	3003-H14 ALUM
42	-	-	12 GA	G-90 GALV	0.050	3003-H14 ALUM	0.060	3003-H14 ALUM
48	-	-	12 GA	G-90 GALV	0.050	3003-H14 ALUM	0.060	3003-H14 ALUM

CAD FILE				SSERIESMD		SHEET		2
REVISIONS								
REV	DESCRIPTION	BY	DATE	ECN				
--	-----	---	--/--/--	-----				
--	-----	---	--/--/--	-----				
--	-----	---	--/--/--	-----				



DRIVE COVER CAP



DRIVE SUPPORT PLATE

NOTES:

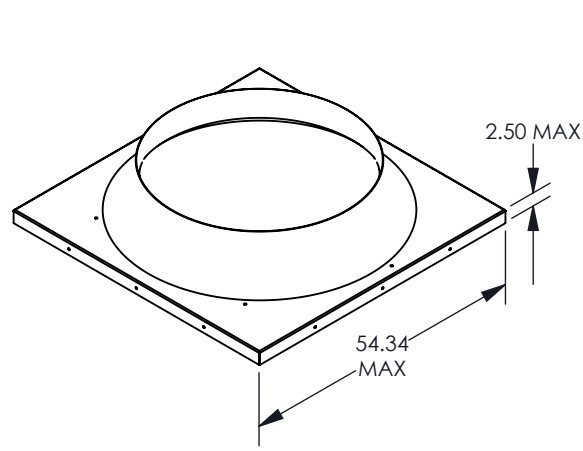
**TEST LAB REVIEW
8/8/2020**

FENESTRATION TESTING LABORATORY INC.

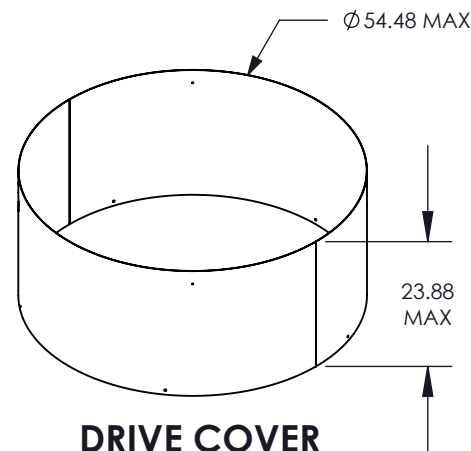
LABORATORY NUMBER: 12235

DATE: 9/3/2020

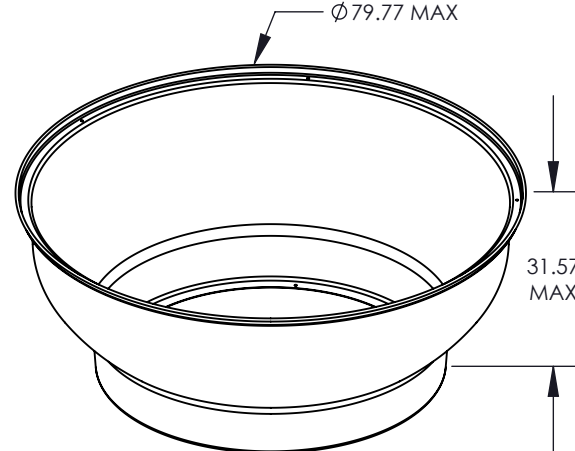
DRAWINGS VERIFIED BY: LD



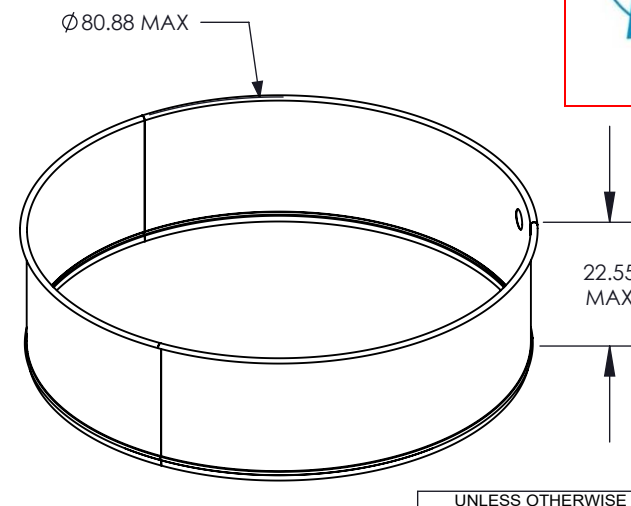
BASE PANEL



DRIVE COVER



SHROUD

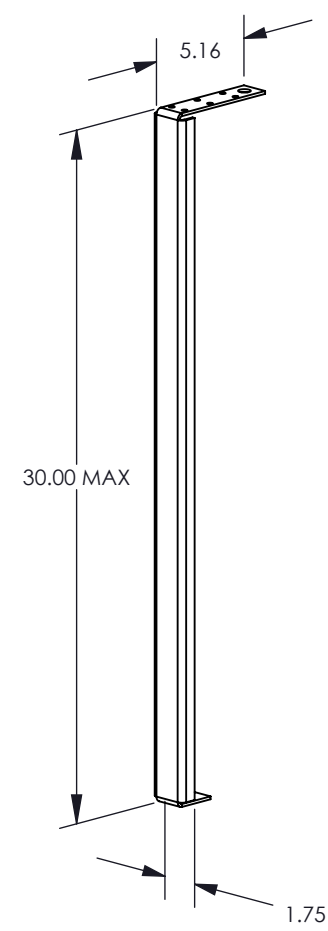


WINDBAND

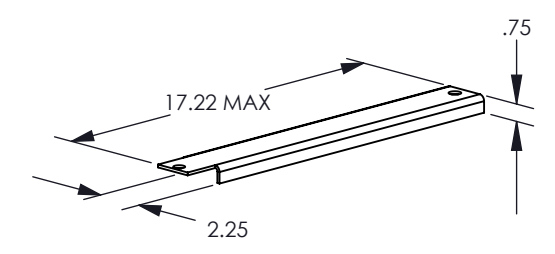
UNLESS OTHERWISE SPECIFIED DIMENSIONS ARE IN INCHES TOLERANCES ARE			THIRD ANGLE PROJECTION		
FRACTIONS ± 1/16	DECIMALS XX ± .03 XXX ± .005	ANGLES ± 1°			
MATERIAL	ESTIMATED WEIGHT(LB)	PROJECT NO.	APPROVALS	DATE	S&P USA JACKSONVILLE, FLORIDA STXB/STXBRHUL/STXD/STXDRHUL MIAMI DADE B SSERIESMD SCALE: 1:30 DO NOT SCALE DRAWING
	EST. SHIPPING DIMS (INCH)	DRAWN BY JX	DATE 3/26/2020	REV. A	
		CHECKED BY ---	DATE --/--	SHEET 2 OF 10	

STXB/STXBRHUL MODEL SIZE	STXD/STXDe MODEL SIZE	STXDRHUL/ STXDeRHUL MODEL SIZE	TIE DOWN BRACKET			TIE DOWN CABLE	
			QTY	THICKNESS	MATERIAL	QTY	MATERIAL
08	06-07-08-0825	-	4	0.040	3003-H14 ALUM	4	3/16 GALV CABLE
10	10	10	4	0.040	3003-H14 ALUM	4	3/16 GALV CABLE
12	12	12	4	0.040	3003-H14 ALUM	4	3/16 GALV CABLE
14	14-1410-1475	14-1410-1475	4	0.040	3003-H14 ALUM	4	3/16 GALV CABLE
15/15HP	15-1515-1575	15-1515-1575	4	0.040	3003-H14 ALUM	4	3/16 GALV CABLE
16/16HP	16-1615	16-1615	4	0.040	3003-H14 ALUM	4	3/16 GALV CABLE
18/18HP	-	-	4	0.040	3003-H14 ALUM	4	3/16 GALV CABLE
20/20HP	-	-	4	0.040	3003-H14 ALUM	4	3/16 GALV CABLE
22/22HP	-	-	4	0.040	3003-H14 ALUM	4	3/16 GALV CABLE
24/24HP	-	-	4	0.040	3003-H14 ALUM	4	3/16 GALV CABLE
27/27HP	-	-	4	0.040	3003-H14 ALUM	4	3/16 GALV CABLE
30/30HP	-	-	4	0.040	3003-H14 ALUM	4	3/16 GALV CABLE
33/33HP	-	-	4	0.040	3003-H14 ALUM	4	3/16 GALV CABLE
36/36HP	-	-	4	0.040	3003-H14 ALUM	4	3/16 GALV CABLE
42	-	-	4	0.040	3003-H14 ALUM	4	3/16 GALV CABLE
48	-	-	4	0.040	3003-H14 ALUM	4	3/16 GALV CABLE

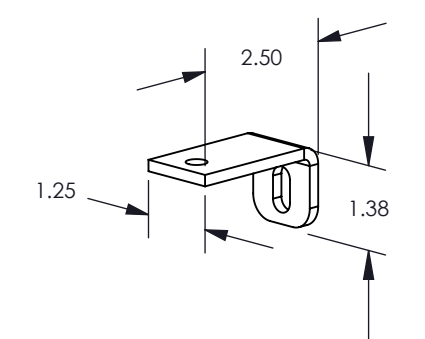
STXB/STXBRHUL MODEL SIZE	STXD/STXDe MODEL SIZE	STXDRHUL/ STXDeRHUL MODEL SIZE	HORIZONTAL LEG SUPPORT			VERTICAL LEG SUPPORT		
			QTY	THICKNESS	MATERIAL	QTY	THICKNESS	MATERIAL
08	06-07-08-0825	-	4	14 GA	G-90 GALV	4	14 GA	G-90 GALV
10	10	10	4	14 GA	G-90 GALV	4	14 GA	G-90 GALV
12	12	12	4	14 GA	G-90 GALV	4	14 GA	G-90 GALV
14	14-1410-1475	14-1410-1475	4	14 GA	G-90 GALV	4	14 GA	G-90 GALV
15/15HP	15-1515-1575	15-1515-1575	4	14 GA	G-90 GALV	4	14 GA	G-90 GALV
16/16HP	16-1615	16-1615	4	14 GA	G-90 GALV	4	14 GA	G-90 GALV
18/18HP	-	-	6	14 GA	G-90 GALV	6	14 GA	G-90 GALV
20/20HP	-	-	6	14 GA	G-90 GALV	6	14 GA	G-90 GALV
22/22HP	-	-	6	14 GA	G-90 GALV	6	14 GA	G-90 GALV
24/24HP	-	-	6	14 GA	G-90 GALV	6	14 GA	G-90 GALV
27/27HP	-	-	6	14 GA	G-90 GALV	6	14 GA	G-90 GALV
30/30HP	-	-	6	12 GA	G-90 GALV	6	12 GA	G-90 GALV
33/33HP	-	-	6	12 GA	G-90 GALV	6	12 GA	G-90 GALV
36/36HP (<10HP)	-	-	5	12 GA	G-90 GALV	5	12 GA	G-90 GALV
36/36HP (10HP)	-	-	7	12 GA	G-90 GALV	7	12 GA	G-90 GALV
42	-	-	5	12 GA	G-90 GALV	5	12 GA	G-90 GALV
48 (<10HP)	-	-	5	12 GA	G-90 GALV	5	12 GA	G-90 GALV
48 (10HP)	-	-	7	12 GA	G-90 GALV	7	12 GA	G-90 GALV



VERTICAL LEG SUPPORT



HORIZONTAL LEG SUPPORT



TIE DOWN BRACKET

NOTES:



TIE DOWN CABLE

**TEST LAB REVIEW
8/8/2020**

CAD FILE	SSERIESMD			SHEET	3
REVISIONS					
REV	DESCRIPTION	BY	DATE	ECN	
--	-----	---	--/--/--	-----	
--	-----	---	--/--/--	-----	
--	-----	---	--/--/--	-----	

	FENESTRATION TESTING LABORATORY INC.
	LABORATORY NUMBER: 12235
	DATE: 9/3/2020
	DRAWINGS VERIFIED BY: LD

UNLESS OTHERWISE SPECIFIED DIMENSIONS ARE IN INCHES TOLERANCES ARE		THIRD ANGLE PROJECTION		S&P USA	
FRACTIONS ± 1/16	DECIMALS XX ± .03 XXX ± .005	ANGLES ± 1°		JACKSONVILLE, FLORIDA	
MATERIAL			ESTIMATED WEIGHT(LB)	PROJECT NO.	STXB/STXBRHUL/STXD/STXDRHUL MIAMI DADE
APPROVALS		DATE	SIZE PART NO.		
DRAWN BY JX		3/26/2020	B SSERIESMD		
CHECKED BY		---	SCALE: 1:10 DO NOT SCALE DRAWING		
					REV. A SHEET 3 OF 10

SDB MODEL SIZE	A	B	C	D	E	F	G	H	J	K	L	WEIGHT (LBS)
6	18	30-1/8	25	3-3/8	2	22	33-1/8	10	8	-	4	111
7	18	30-1/8	25	3-3/8	2	22	33-1/8	10	8	-	4	111
8	18	30-1/8	25	3-3/8	2	22	33-1/8	10	8	-	4	114
10	18	30-1/8	25	3-3/8	2	22	33-1/8	10	8	-	4	115
12	20	31-11/16	27-5/8	3-7/8	2	24	34-11/16	12	8	-	4	128
14	20	31-11/16	27-5/8	3-7/8	2	24	34-11/16	12	8	-	4	135
15	24	32-1/2	32-7/8	4	2	28	35-1/2	14	8	-	4	151
16	24	32-1/2	32-7/8	4	2	28	35-1/2	14	8	-	4	151
18	30	36-3/8	39-3/16	4-5/8	2	34	39-3/8	16	10	4	6	217
20	30	38-5/16	45	6-1/8	2	34	41-5/16	16	10	6	6	233
22	30	38-5/16	45	6-1/8	2	34	41-5/16	16	10	6	6	233
24	36	46-5/8	49-3/8	6	2	40	49-5/8	20	10	6	6	349
27	36	49-1/16	49-3/8	8-1/2	2	40	52-1/16	20	10	6	6	357
30	42	50-1/4	56	7-3/8	2	46	53-1/4	22	10	6	6	465
33	42	50-1/4	56	7-3/8	2	46	53-1/4	22	10	6	6	467
36	42-5/16	48-7/8	64-1/4	7	2-1/2	46-5/16	51-7/8	24	10	5	5	541
42	54-1/4	54-7/8	71-3/16	11-1/2	2-1/2	58-1/4	57-7/8	28	10	5	5	744
48	54-1/4	58-1/8	78-3/16	12-7/8	2-1/2	58-1/4	61-1/8	30	10	5	5	789

CAD FILE		SSERIESMD		SHEET	4
REVISIONS					
REV	DESCRIPTION	BY	DATE	ECN	
--	-----	---	--/--/--	-----	
--	-----	---	--/--/--	-----	
--	-----	---	--/--/--	-----	

DESIGN PRESSURE LOAD RATING	
SDB SIZE	PRESSURE LOAD (PSF)
6 - 22	± 150
24 - 48	± 80



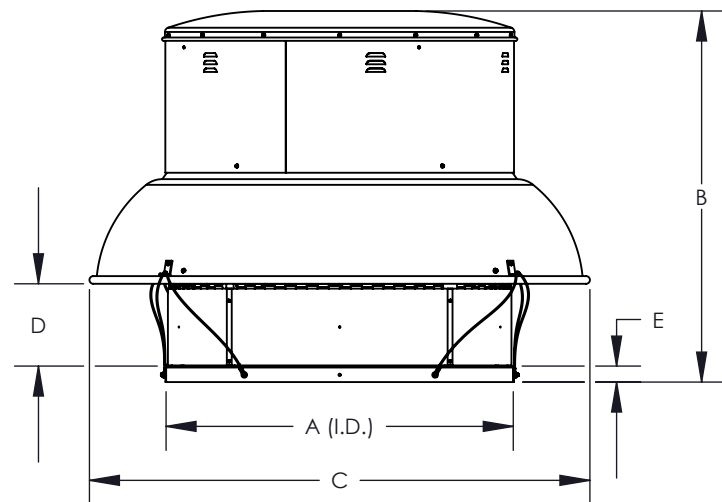
FENESTRATION TESTING LABORATORY INC.

LABORATORY NUMBER: 12235

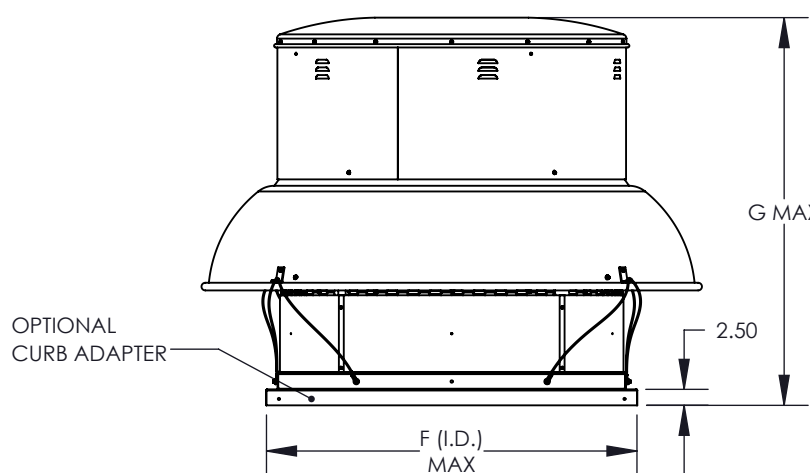
DATE: 9/3/2020

DRAWINGS VERIFIED BY: LD

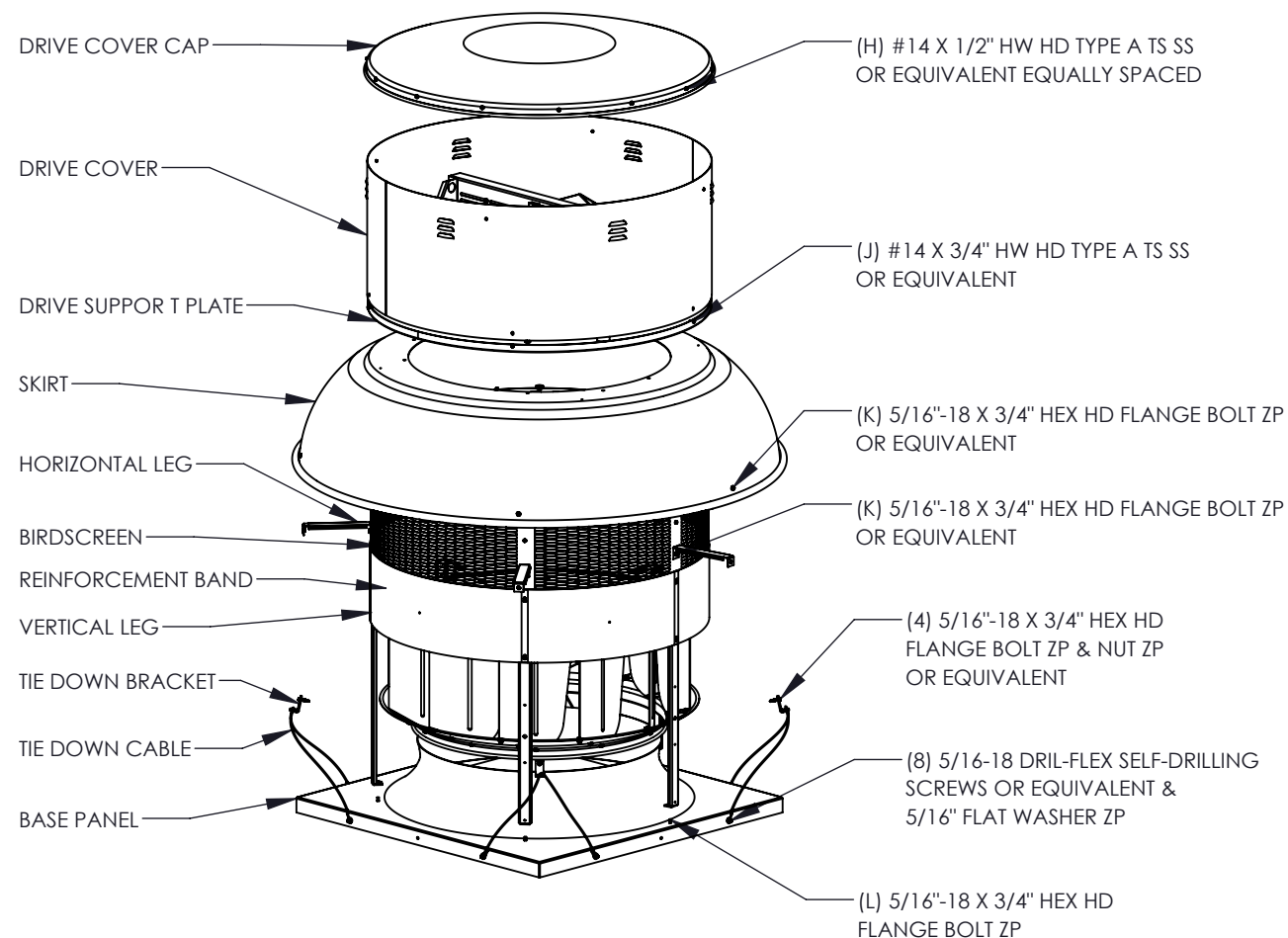
TEST LAB REVIEW 8/8/2020



STANDARD FAN



FAN W/ OPTIONAL CURB ADAPTER



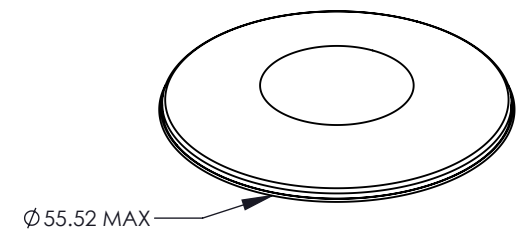
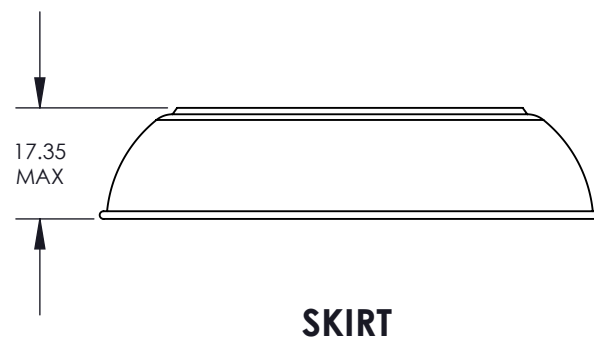
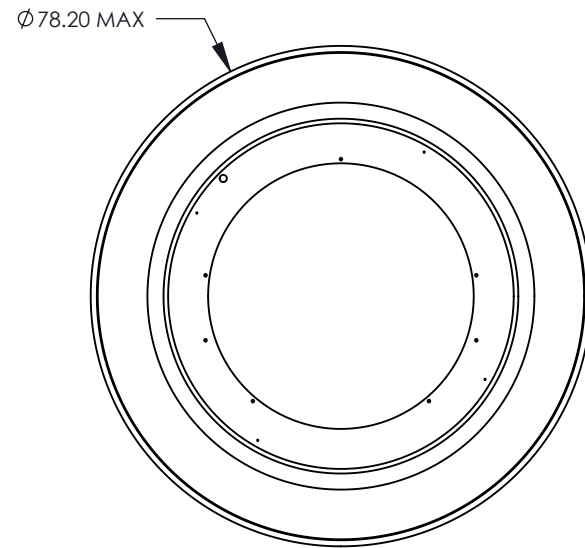
NOTES:

- MODEL SDB(D/e) HAVE BEEN SUCCESSFULLY TESTED IN ACCORDANCE WITH FLORIDA BUILDING CODE/MIAMI DADE TEST PROTOCOL TAS 201 (LARGE IMPACT) AND TAS 202 (STATIC PRESSURE LOADING).
- THIS APPROVAL IS FOR THE STRUCTURAL PERFORMANCE AND IMPACT RESISTANCE ONLY. INTERIOR MECHANISM AND/OR ELECTRICAL CIRCUITRY ARE OUTSIDE THE SCOPE OF THIS APPROVAL.
- THIS FAN/VENT HAS NOT BEEN TESTED FOR WATER PENETRATION ACCORDING TO FLORIDA BUILDING CODE, TAS 100(A) WIND DRIVEN RAIN TEST. IT CANNOT BE INSTALLED WITHIN THE RIDGE AREA FBC 1523.6.5.2.13.
- DESIGN, TESTING, AND INSTALLATION CONFORMS TO FLORIDA BUILDING CODE.
- ROOF STRUCTURE MUST BE DESIGNED TO WITHSTAND THE WEIGHT AND LOADING TRANSMITTED BY THE FANS. FASTENERS SHALL BE AS SPECIFIED AND INSTALLED AS DETAILED.
- FAN CURBS MUST BE ANCHORED TO ROOF FRAMING MEMBERS.

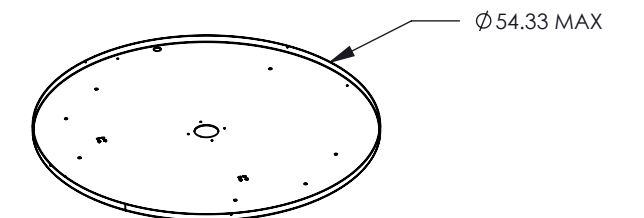
UNLESS OTHERWISE SPECIFIED DIMENSIONS ARE IN INCHES TOLERANCES ARE		THIRD ANGLE PROJECTION			
FRACTIONS ± 1/16	DECIMALS XX ± .03 XXX ± .005	ANGLES ± 1°			
MATERIAL	ESTIMATED WEIGHT(LB)	PROJECT NO.	APPROVALS	DATE	S&P USA JACKSONVILLE, FLORIDA SDB MIAMI DADE PART NO. B SSERIESMD SCALE: 1:30 DO NOT SCALE DRAWING SHEET 4 OF 10
	EST. SHIPPING DIMS (INCH)	DRAWN BY	JX	3/26/2020	
		CHECKED BY			

SDB MODEL SIZE	BASE PANEL		SKIRT		DRIVE COVER	
	THICKNESS	MATERIAL	THICKNESS	MATERIAL	THICKNESS	MATERIAL
6	0.063	3003-H14 ALUM	0.063	3003-H14 ALUM	0.040	3003-H14 ALUM
7	0.063	3003-H14 ALUM	0.063	3003-H14 ALUM	0.040	3003-H14 ALUM
8	0.063	3003-H14 ALUM	0.063	3003-H14 ALUM	0.040	3003-H14 ALUM
10	0.063	3003-H14 ALUM	0.063	3003-H14 ALUM	0.040	3003-H14 ALUM
12	0.063	3003-H14 ALUM	0.063	3003-H14 ALUM	0.040	3003-H14 ALUM
14	0.063	3003-H14 ALUM	0.063	3003-H14 ALUM	0.040	3003-H14 ALUM
15	0.063	3003-H14 ALUM	0.063	3003-H14 ALUM	0.040	3003-H14 ALUM
16	0.063	3003-H14 ALUM	0.063	3003-H14 ALUM	0.040	3003-H14 ALUM
18	0.080	3003-H14 ALUM	0.063	3003-H14 ALUM	0.040	3003-H14 ALUM
20	0.080	3003-H14 ALUM	0.063	3003-H14 ALUM	0.040	3003-H14 ALUM
22	0.080	3003-H14 ALUM	0.063	3003-H14 ALUM	0.040	3003-H14 ALUM
24	0.090	3003-H14 ALUM	0.063	3003-H14 ALUM	0.040	3003-H14 ALUM
27	0.090	3003-H14 ALUM	0.063	3003-H14 ALUM	0.040	3003-H14 ALUM
30	0.090	3003-H14 ALUM	0.063	3003-H14 ALUM	0.040	3003-H14 ALUM
33	0.090	3003-H14 ALUM	0.063	3003-H14 ALUM	0.040	3003-H14 ALUM
36	0.090	3003-H14 ALUM	0.080	3003-H14 ALUM	0.050	3003-H14 ALUM
42	0.100	3003-H14 ALUM	0.080	3003-H14 ALUM	0.050	3003-H14 ALUM
48	0.100	3003-H14 ALUM	0.100	3003-H14 ALUM	0.050	3003-H14 ALUM

SDB MODEL SIZE	BIRD SCREEN		DRIVE SUPPORT PLATE		DRIVE COVER CAP	
	THICKNESS	MATERIAL	THICKNESS	MATERIAL	THICKNESS	MATERIAL
6	0.040	3003-H14 ALUM	14 GA	G-90 GALV	0.040	3003-H14 ALUM
7	0.040	3003-H14 ALUM	14 GA	G-90 GALV	0.040	3003-H14 ALUM
8	0.040	3003-H14 ALUM	14 GA	G-90 GALV	0.040	3003-H14 ALUM
10	0.040	3003-H14 ALUM	14 GA	G-90 GALV	0.040	3003-H14 ALUM
12	0.040	3003-H14 ALUM	14 GA	G-90 GALV	0.040	3003-H14 ALUM
14	0.040	3003-H14 ALUM	14 GA	G-90 GALV	0.040	3003-H14 ALUM
15	0.040	3003-H14 ALUM	14 GA	G-90 GALV	0.040	3003-H14 ALUM
16	0.040	3003-H14 ALUM	14 GA	G-90 GALV	0.040	3003-H14 ALUM
18	0.040	3003-H14 ALUM	14 GA	G-90 GALV	0.040	3003-H14 ALUM
20	0.040	3003-H14 ALUM	14 GA	G-90 GALV	0.040	3003-H14 ALUM
22	0.040	3003-H14 ALUM	14 GA	G-90 GALV	0.040	3003-H14 ALUM
24	0.040	3003-H14 ALUM	14 GA	G-90 GALV	0.050	3003-H14 ALUM
27	0.040	3003-H14 ALUM	14 GA	G-90 GALV	0.050	3003-H14 ALUM
30	0.040	3003-H14 ALUM	14 GA	G-90 GALV	0.050	3003-H14 ALUM
33	0.040	3003-H14 ALUM	14 GA	G-90 GALV	0.050	3003-H14 ALUM
36	0.050	3003-H14 ALUM	14 GA	G-90 GALV	0.050	3003-H14 ALUM
42	0.050	3003-H14 ALUM	12 GA	G-90 GALV	0.063	3003-H14 ALUM
48	0.050	3003-H14 ALUM	12 GA	G-90 GALV	0.063	3003-H14 ALUM

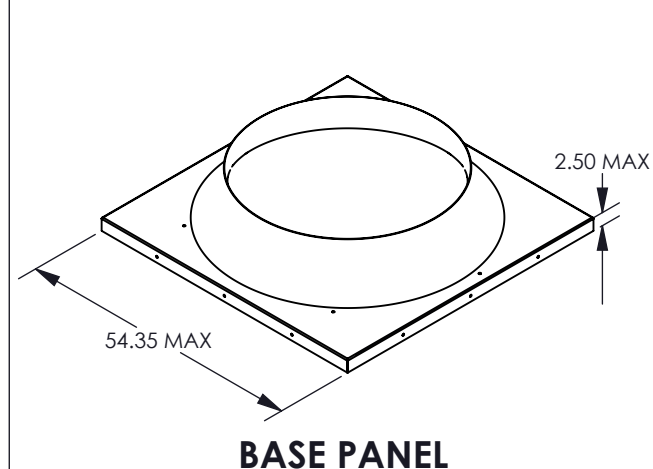


DRIVE COVER CAP

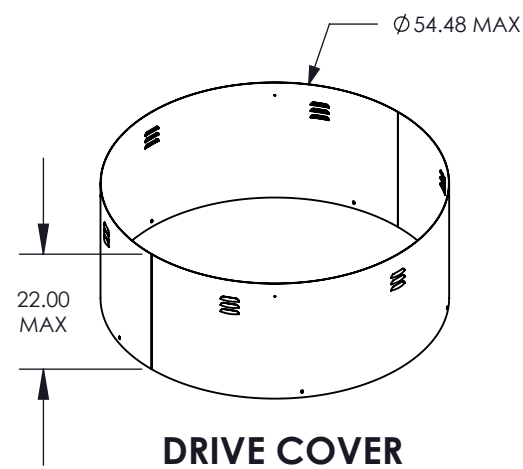


DRIVE SUPPORT PLATE

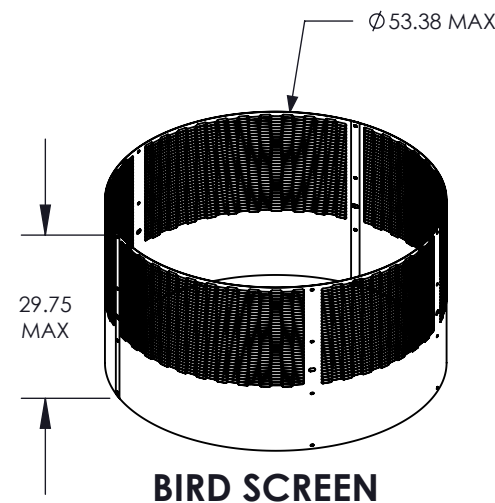
**TEST LAB REVIEW
8/8/2020**




BASE PANEL



DRIVE COVER



BIRD SCREEN

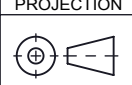



FENESTRATION TESTING LABORATORY INC.

LABORATORY NUMBER: 12235

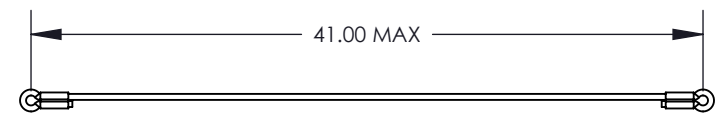
DATE: 9/3/2020

DRAWINGS VERIFIED BY: LD


UNLESS OTHERWISE SPECIFIED DIMENSIONS ARE IN INCHES TOLERANCES ARE		THIRD ANGLE PROJECTION			
FRACTIONS ± 1/16	DECIMALS XX ± .03 XXX ± .005	ANGLES ± 1°			
MATERIAL	ESTIMATED WEIGHT(LB)	PROJECT NO.	APPROVALS	DATE	S&P USA JACKSONVILLE, FLORIDA SDB MIAMI DADE
	EST. SHIPPING DIMS (INCH)	DRAWN BY JX	DATE 3/26/2020	REV. A	
		CHECKED BY	DATE --/--	SCALE: 1:30 DO NOT SCALE DRAWING	

SDB MODEL SIZE	VERTICAL LEG			HORIZONTAL LEG			TIE DOWN BRACKET			TIE DOWN CABLE		REINFORCEMENT BAND ASSEMBLY		
	QTY	THICKNESS	MATERIAL	QTY	THICKNESS	MATERIAL	QTY	THICKNESS	MATERIAL	QTY	MATERIAL	QTY	THICKNESS	MATERIAL
6	4	14 GA	G-90 GALV	-	-	-	4	0.040	3003-H14 ALUM	4	3/16 GALV CABLE	1	12 GA	G-90 GALV
7	4	14 GA	G-90 GALV	-	-	-	4	0.040	3003-H14 ALUM	4	3/16 GALV CABLE	1	12 GA	G-90 GALV
8	4	14 GA	G-90 GALV	-	-	-	4	0.040	3003-H14 ALUM	4	3/16 GALV CABLE	1	12 GA	G-90 GALV
10	4	14 GA	G-90 GALV	-	-	-	4	0.040	3003-H14 ALUM	4	3/16 GALV CABLE	1	12 GA	G-90 GALV
12	4	14 GA	G-90 GALV	-	-	-	4	0.040	3003-H14 ALUM	4	3/16 GALV CABLE	1	12 GA	G-90 GALV
14	4	14 GA	G-90 GALV	-	-	-	4	0.040	3003-H14 ALUM	4	3/16 GALV CABLE	1	12 GA	G-90 GALV
15	4	12 GA	G-90 GALV	-	-	-	4	0.040	3003-H14 ALUM	4	3/16 GALV CABLE	1	12 GA	G-90 GALV
16	4	12 GA	G-90 GALV	-	-	-	4	0.040	3003-H14 ALUM	4	3/16 GALV CABLE	1	12 GA	G-90 GALV
18	6	12 GA	G-90 GALV	6	12 GA	G-90 GALV	4	0.040	3003-H14 ALUM	4	3/16 GALV CABLE	1	12 GA	G-90 GALV
20	6	12 GA	G-90 GALV	6	12 GA	G-90 GALV	4	0.040	3003-H14 ALUM	4	3/16 GALV CABLE	1	12 GA	G-90 GALV
22	6	12 GA	G-90 GALV	6	12 GA	G-90 GALV	4	0.040	3003-H14 ALUM	4	3/16 GALV CABLE	1	12 GA	G-90 GALV
24	6	12 GA	G-90 GALV	6	12 GA	G-90 GALV	4	0.040	3003-H14 ALUM	4	3/16 GALV CABLE	1	12 GA	G-90 GALV
27	6	12 GA	G-90 GALV	6	12 GA	G-90 GALV	4	0.040	3003-H14 ALUM	4	3/16 GALV CABLE	1	12 GA	G-90 GALV
30	6	12 GA	G-90 GALV	6	12 GA	G-90 GALV	4	0.040	3003-H14 ALUM	4	3/16 GALV CABLE	1	12 GA	G-90 GALV
33	6	12 GA	G-90 GALV	6	12 GA	G-90 GALV	4	0.040	3003-H14 ALUM	4	3/16 GALV CABLE	1	12 GA	G-90 GALV
36	5	10 GA	G-90 GALV	5	12 GA	G-90 GALV	4	0.040	3003-H14 ALUM	4	3/16 GALV CABLE	1	12 GA	G-90 GALV
42	5	10 GA	G-90 GALV	5	12 GA	G-90 GALV	4	0.040	3003-H14 ALUM	4	3/16 GALV CABLE	1	12 GA	G-90 GALV
48	5	10 GA	G-90 GALV	5	12 GA	G-90 GALV	4	0.040	3003-H14 ALUM	4	3/16 GALV CABLE	1	12 GA	G-90 GALV

CAD FILE				SSERIESMD		SHEET		6	
REVISIONS									
REV	DESCRIPTION	BY	DATE	ECN					
--	-----	---	--/--/--	-----					
--	-----	---	--/--/--	-----					
--	-----	---	--/--/--	-----					



TIE DOWN CABLE



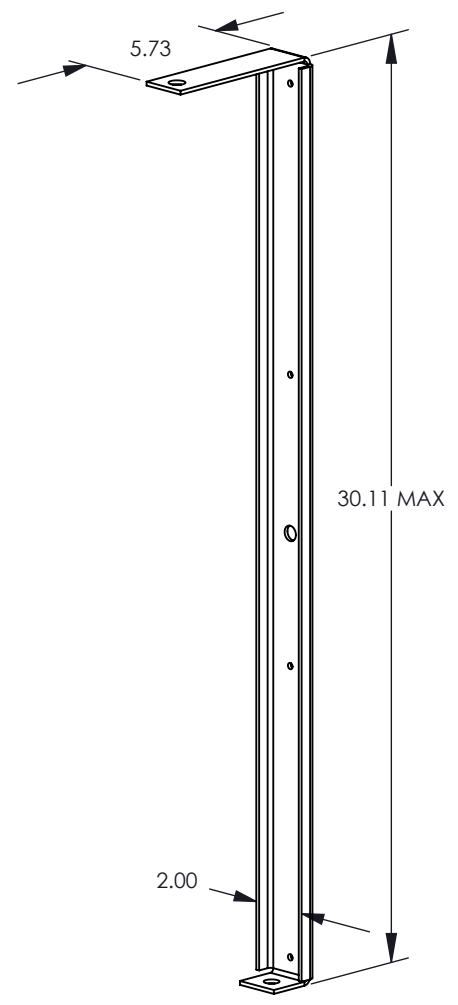
FENESTRATION TESTING LABORATORY INC.

LABORATORY NUMBER: 12235

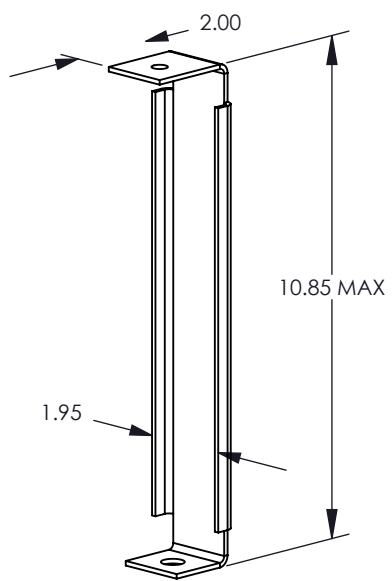
DATE: 9/3/2020

DRAWINGS VERIFIED BY: LD

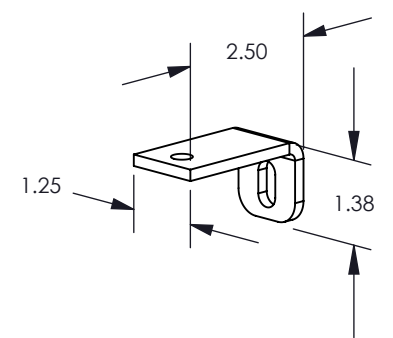
TEST LAB REVIEW
8/8/2020



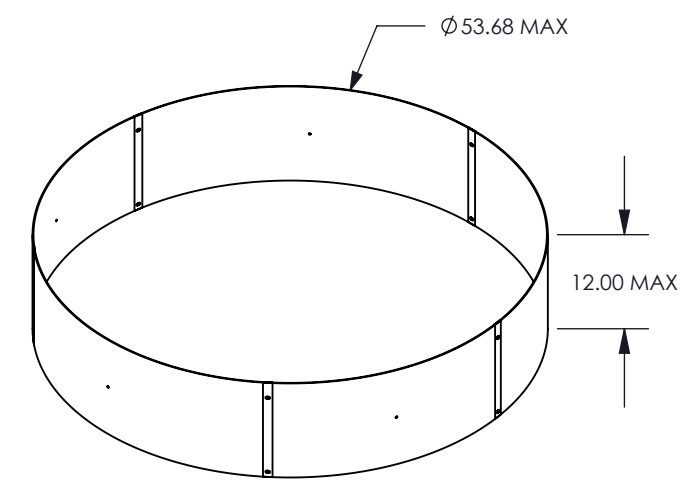
VERTICAL LEG



HORIZONTAL LEG



TIE DOWN BRACKET




REINFORCEMENT BAND ASSEMBLY

UNLESS OTHERWISE SPECIFIED DIMENSIONS ARE IN INCHES TOLERANCES ARE				THIRD ANGLE PROJECTION		S&P USA			
FRACTIONS ± 1/16		DECIMALS XX ± .03 XXX ± .005		ANGLES ± 1°		JACKSONVILLE, FLORIDA		SDB MIAMI DADE	
MATERIAL		ESTIMATED WEIGHT(LB)		PROJECT NO.		APPROVALS		DATE	
EST. SHIPPING DIMS (INCH)		DRAWN BY JX		CHECKED BY ---		3/26/2020		REV. A	
SCALE: 1:10 DO NOT SCALE DRAWING						SHEET		6 OF 10	

SDBD/SDBDe MODEL SIZE	A	B	C	D	E	F	G	H	J	WEIGHT (LBS)
06/06C	18	14-1/8	22-5/16	1-1/2	2	22	17-1/8	4	4	27
07	18	16-13/16	22-5/16	4-1/8	2	22	19-13/16	4	4	30
08	18	20-1/2	22-5/16	4-1/8	2	22	23-1/2	4	4	42
10	18	20-1/2	22-5/16	5-1/8	2	22	23-1/2	4	4	46
12	20	27-5/16	27-5/8	3-7/8	2	24	30-5/16	4	4	105
14/1410/1475	20	27-5/16	27-5/8	3-7/8	2	24	30-5/16	4	4	112
15/1515/1575	24	28	32-7/8	4	2	28	31	4	4	136
16/1615	24	28	32-7/8	4	2	28	31	4	4	136

CAD FILE		SSERIESMD			SHL	7
REVISIONS						
REV	DESCRIPTION	BY	DATE	ECN		
--	-----	---	--/--/--	-----		
--	-----	---	--/--/--	-----		
--	-----	---	--/--/--	-----		

DESIGN PRESSURE LOAD RATING	
SDBD/e SIZE	PRESSURE LOAD (PSF)
06 - 16	± 150



FENESTRATION TESTING LABORATORY INC.

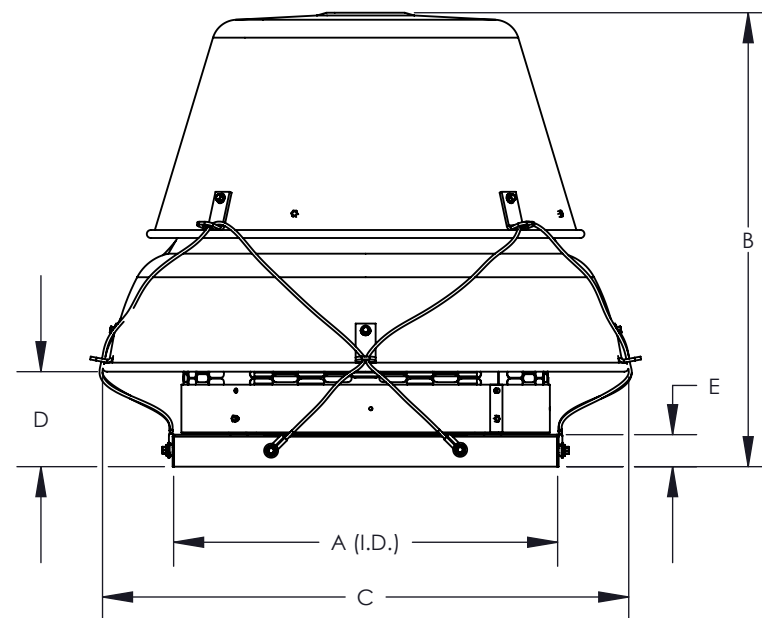
LABORATORY NUMBER: 12235

DATE: 9/3/2020

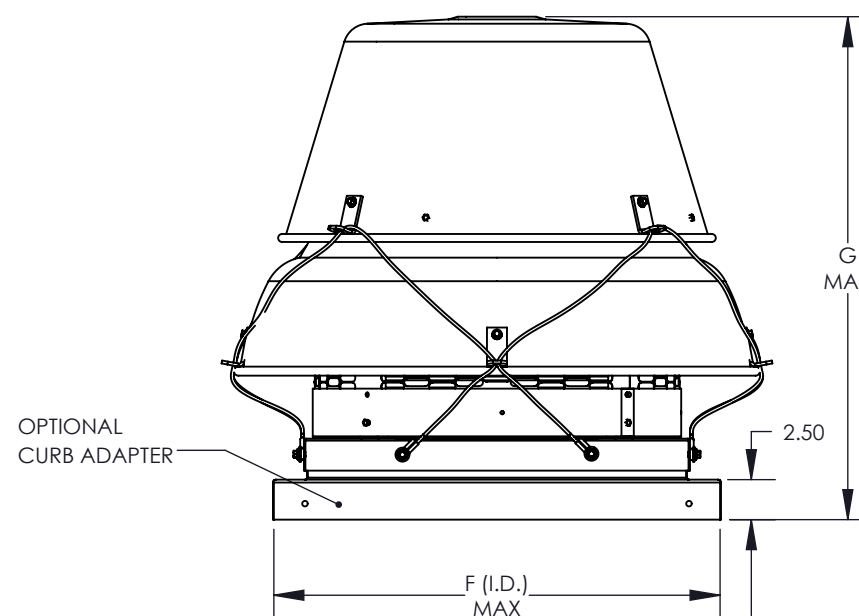
DRAWINGS VERIFIED BY: LD

TEST LAB REVIEW

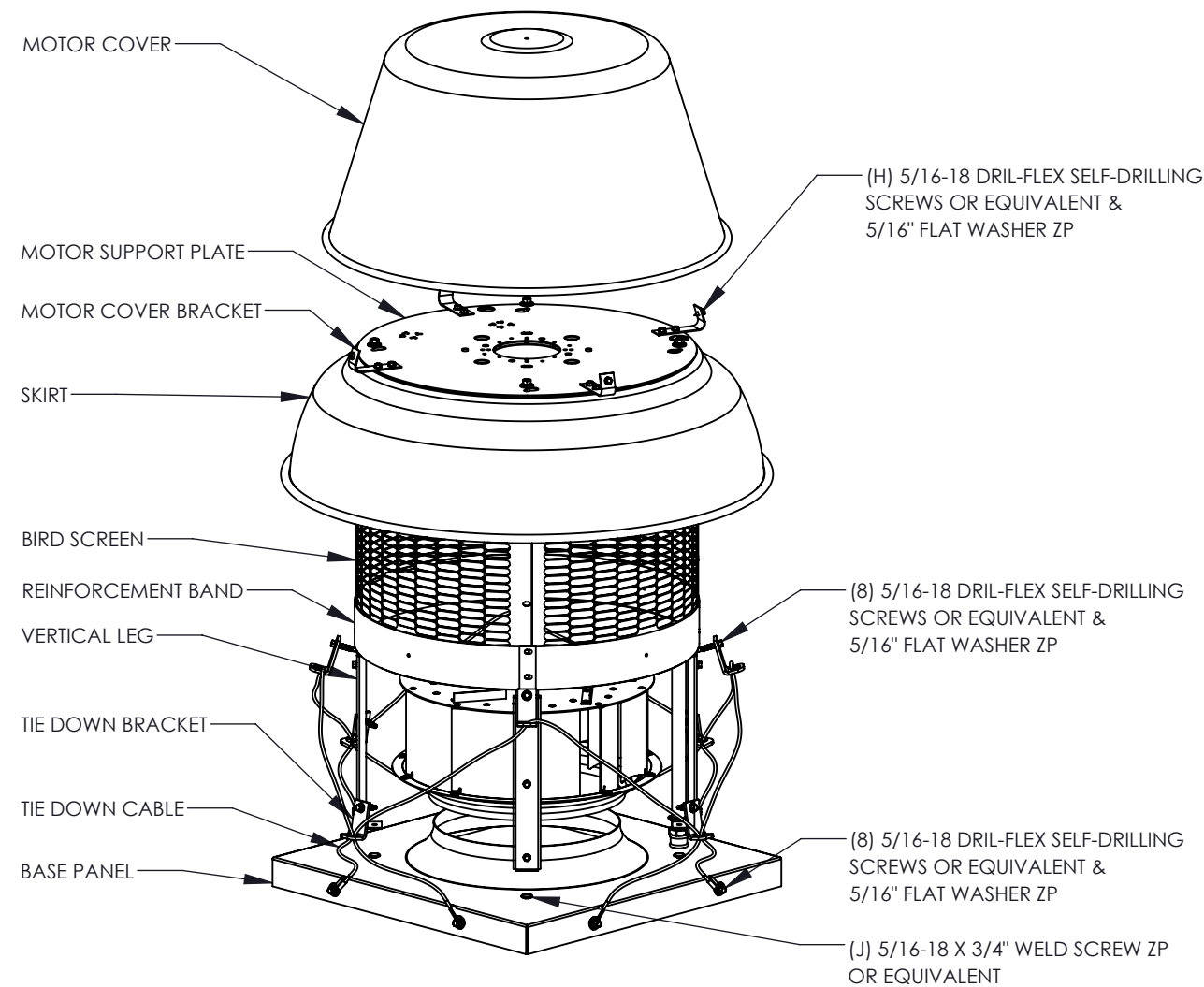
8/8/2020



STANDARD FAN



FAN W/ OPTIONAL CURB ADAPTER



NOTES:

1. MODEL SDB(D/e) HAVE BEEN SUCCESSFULLY TESTED IN ACCORDANCE WITH FLORIDA BUILDING CODE/MIAMI DADE TEST PROTOCOL TAS 201 (LARGE IMPACT) AND TAS 202 (STATIC PRESSURE LOADING).
2. THIS APPROVAL IS FOR THE STRUCTURAL PERFORMANCE AND IMPACT RESISTANCE ONLY. INTERIOR MECHANISM AND/OR ELECTRICAL CIRCUITRY ARE OUTSIDE THE SCOPE OF THIS APPROVAL.
3. THIS FAN/VENT HAS NOT BEEN TESTED FOR WATER PENETRATION ACCORDING TO FLORIDA BUILDING CODE, TAS 100(A) WIND DRIVEN RAIN TEST. IT CANNOT BE INSTALLED WITHIN THE RIDGE AREA FBC 1523.6.5.2.13.
4. DESIGN, TESTING, AND INSTALLATION CONFORMS TO FLORIDA BUILDING CODE.
5. ROOF STRUCTURE MUST BE DESIGNED TO WITHSTAND THE WEIGHT AND LOADING TRANSMITTED BY THE FANS. FASTENERS SHALL BE AS SPECIFIED AND INSTALLED AS DETAILED.
6. FAN CURBS MUST BE ANCHORED TO ROOF FRAMING MEMBERS.

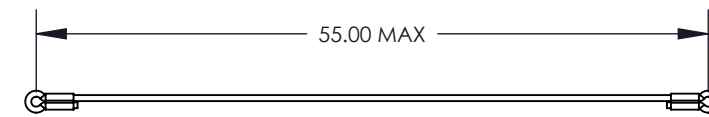
UNLESS OTHERWISE SPECIFIED DIMENSIONS ARE IN INCHES TOLERANCES ARE				THIRD ANGLE PROJECTION		S&P USA	
FRACTIONS ± 1/16		DECIMALS XX ± .03 XXX ± .005		ANGLES ± 1°		JACKSONVILLE, FLORIDA SDBD/SDBDe MIAMI DADE	
MATERIAL	ESTIMATED WEIGHT(LB)	PROJECT NO.	APPROVALS	DATE	<div style="display: flex; justify-content: space-between;"> SIZE PART NO. B SSERIESMD REV. A </div> SCALE: 1:12 DO NOT SCALE DRAWING SHEET 7 OF 10		
		DRAWN BY	DATE	3/26/2020			
		CHECKED BY	DATE	--/--			

SDBD/SDBDe MODEL SIZE	BASE PANEL		SKIRT		MOTOR COVER		BIRD SCREEN		SKIRT STIFFENING PLATE	
	THICKNESS	MATERIAL	THICKNESS	MATERIAL	THICKNESS	MATERIAL	THICKNESS	MATERIAL	THICKNESS	MATERIAL
06/06C	0.063	3003-H14 ALUM	0.063	3003-H14 ALUM	0.063	3003-H14 ALUM	0.063	3003-H14 ALUM	16 GA	G-90 GALV
07	0.063	3003-H14 ALUM	0.063	3003-H14 ALUM	0.063	3003-H14 ALUM	0.040	3003-H14 ALUM	16 GA	G-90 GALV
08	0.063	3003-H14 ALUM	0.063	3003-H14 ALUM	0.063	3003-H14 ALUM	0.040	3003-H14 ALUM	16 GA	G-90 GALV
10	0.063	3003-H14 ALUM	0.063	3003-H14 ALUM	0.063	3003-H14 ALUM	0.040	3003-H14 ALUM	16 GA	G-90 GALV
12	0.063	3003-H14 ALUM	0.063	3003-H14 ALUM	0.080	3003-H14 ALUM	0.040	3003-H14 ALUM	14 GA	G-90 GALV
14/1410/1475	0.063	3003-H14 ALUM	0.063	3003-H14 ALUM	0.080	3003-H14 ALUM	0.040	3003-H14 ALUM	14 GA	G-90 GALV
15/1515/1575	0.063	3003-H14 ALUM	0.063	3003-H14 ALUM	0.080	3003-H14 ALUM	0.040	3003-H14 ALUM	14 GA	G-90 GALV
16/1615	0.063	3003-H14 ALUM	0.063	3003-H14 ALUM	0.080	3003-H14 ALUM	0.040	3003-H14 ALUM	14 GA	G-90 GALV

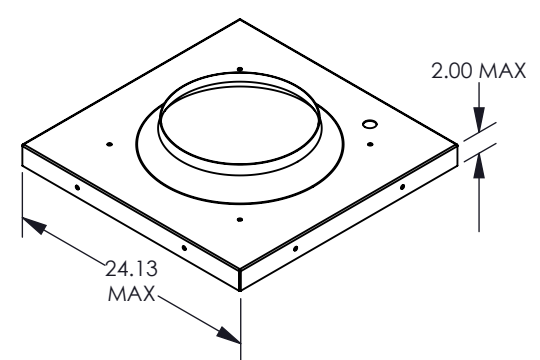
CAD FILE				SSERIESMD		SHEET		8	
REVISIONS									
REV	DESCRIPTION	BY	DATE	ECN					
--	-----	---	--/--/--	-----					
--	-----	---	--/--/--	-----					
--	-----	---	--/--/--	-----					

TEST LAB REVIEW
8/8/2020

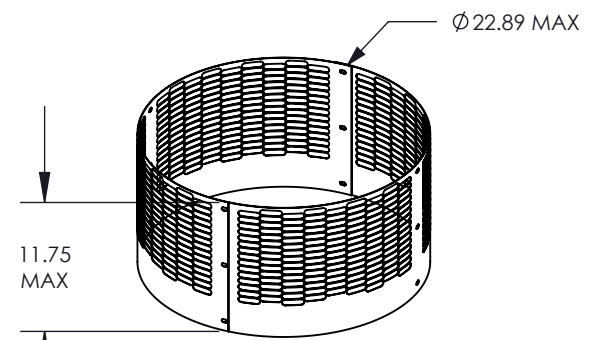
SDBD/SDBDe MODEL SIZE	VERTICAL LEG			MOTOR COVER BRACKET			TIE DOWN BRACKET			TIE DOWN CABLE		REINFORCEMENT BAND ASSEMBLY		
	QTY	THICKNESS	MATERIAL	QTY	THICKNESS	MATERIAL	QTY	THICKNESS	MATERIAL	QTY	MATERIAL	QTY	THICKNESS	MATERIAL
06/06C	4	10 GA	3003-H14 ALUM	4	0.090	3003-H14 ALUM	8	0.040	3003-H14 ALUM	4	3/16 GALV CABLE	1	12 GA	G-90 GALV
07	4	10 GA	3003-H14 ALUM	4	0.090	3003-H14 ALUM	8	0.040	3003-H14 ALUM	4	3/16 GALV CABLE	1	12 GA	G-90 GALV
08	4	10 GA	3003-H14 ALUM	4	0.090	3003-H14 ALUM	8	0.040	3003-H14 ALUM	4	3/16 GALV CABLE	1	12 GA	G-90 GALV
10	4	10 GA	3003-H14 ALUM	4	0.090	3003-H14 ALUM	8	0.040	3003-H14 ALUM	4	3/16 GALV CABLE	1	12 GA	G-90 GALV
12	4	14 GA	3003-H14 ALUM	4	14 GA	G-90 GALV	8	0.040	3003-H14 ALUM	4	3/16 GALV CABLE	1	12 GA	G-90 GALV
14/1410/1475	4	14 GA	3003-H14 ALUM	4	14 GA	G-90 GALV	8	0.040	3003-H14 ALUM	4	3/16 GALV CABLE	1	12 GA	G-90 GALV
15/1515/1575	4	12 GA	3003-H14 ALUM	4	14 GA	G-90 GALV	8	0.040	3003-H14 ALUM	4	3/16 GALV CABLE	1	12 GA	G-90 GALV
16/1615	4	12 GA	3003-H14 ALUM	4	14 GA	G-90 GALV	8	0.040	3003-H14 ALUM	4	3/16 GALV CABLE	1	12 GA	G-90 GALV



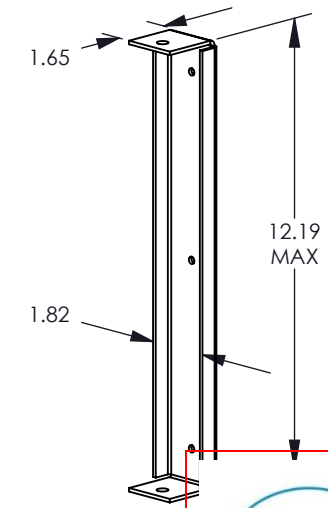
TIE DOWN CABLE



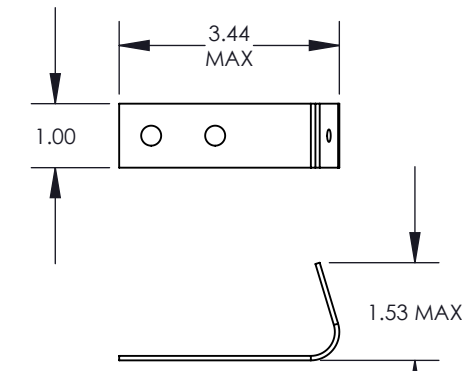
BASE PANEL



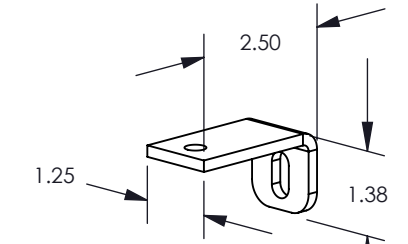
BIRD SCREEN



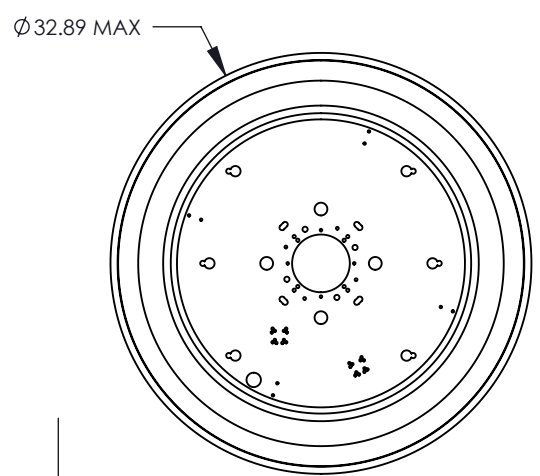
VERTIC



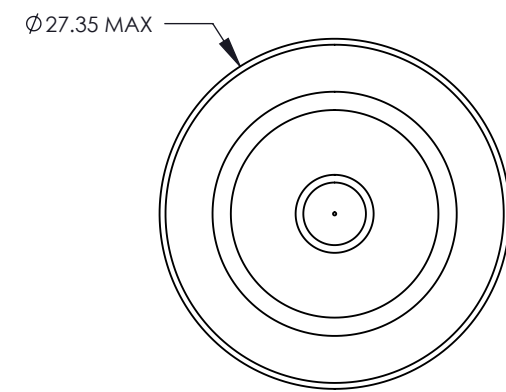
MOTOR COVER BRACKET



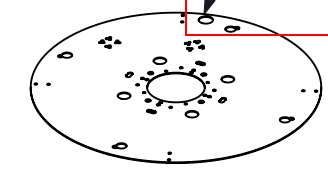
TIE DOWN BRACKET



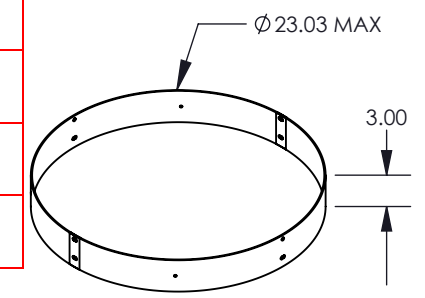
SKIRT



MOTOR COVER



SKIRT STIFFENING PLATE



REINFORCEMENT BAND ASSEMBLY

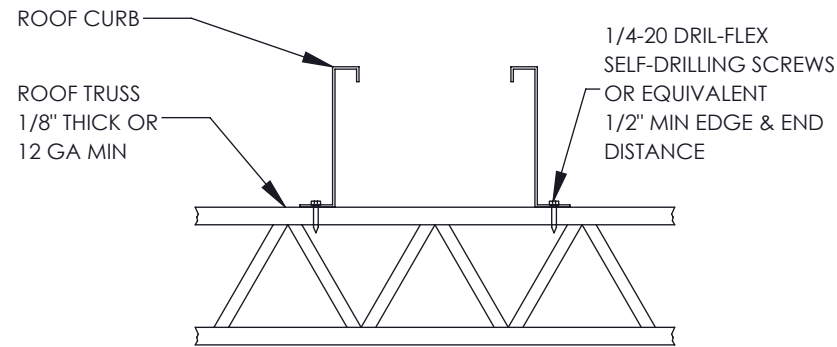


FENESTRATION TESTING LABORATORY INC.
 LABORATORY NUMBER: 12235
 DATE: 9/3/2020
 DRAWINGS VERIFIED BY: LD

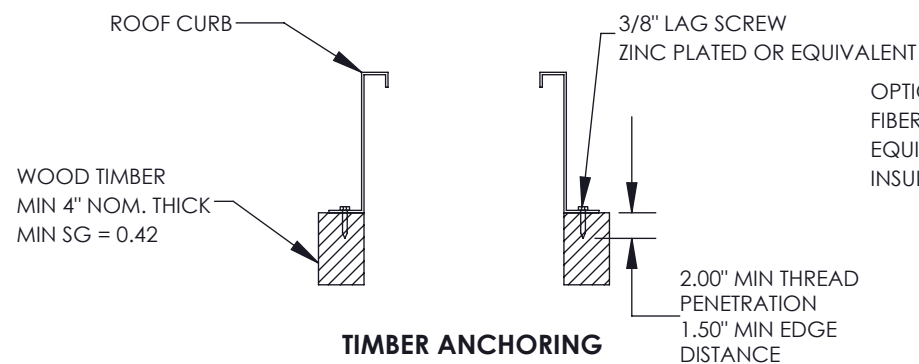
UNLESS OTHERWISE SPECIFIED DIMENSIONS ARE IN INCHES TOLERANCES ARE				THIRD ANGLE PROJECTION		S&P USA	
FRACTIONS ± 1/16		DECIMALS XX ± .03 XXX ± .005		ANGLES ± 1°		JACKSONVILLE, FLORIDA SDBD/SDBDe MIAMI DADE	
MATERIAL	ESTIMATED WEIGHT(LB)	PROJECT NO.	APPROVALS	DATE	SIZE	PART NO.	REV.
				3/26/2020	B	SSERIESMD	A
	EST. SHIPPING DIMS (INCH)	DRAWN BY JX	CHECKED BY		SCALE: 1:15 DO NOT SCALE DRAWING		SHEET 8 OF 10

STXB/ STXBRHUL MODEL SIZE	STXD/STXDe MODEL SIZE	STXDRHUL/ STXD(e)RHUL MODEL SIZE	FAN TO CURB FASTENER QTY				CURB TO STEEL FASTENER QTY				CURB TO TIMBER FASTENER QTY				CURB TO CONCRETE FASTENER QTY			
			FAN BASE		W/ CURB ADAPTER		NO CURB ADAPTER		W/ CURB ADAPTER		NO CURB ADAPTER		W/ CURB ADAPTER		NO CURB ADAPTER		W/ CURB ADAPTER	
			QTY PER SIDE	TOTAL	QTY PER SIDE	TOTAL	QTY PER SIDE	TOTAL	QTY PER SIDE	TOTAL	QTY PER SIDE	TOTAL	QTY PER SIDE	TOTAL	QTY PER SIDE	TOTAL	QTY PER SIDE	TOTAL
08	06-07-08-0825	-	3	12	3	12	6	24	6	24	4	16	4	16	4	16	4	16
10	10	10	3	12	3	12	6	24	6	24	4	16	4	16	4	16	4	16
12	12	12	3	12	3	12	6	24	6	24	5	20	5	20	4	16	4	16
14	14-1410-1475	14-1410-1475	3	12	3	12	6	24	6	24	5	20	5	20	4	16	4	16
15/15HP	15-1515-1575	15-1515-1575	3	12	3	12	6	24	6	24	5	20	5	20	4	16	4	16
16/16HP	16-1615	16-1615	3	12	3	12	6	24	6	24	5	20	5	20	4	16	4	16
18/18HP	-	-	4	16	4	16	7	28	7	28	5	20	5	20	5	20	5	20
20/20HP	-	-	4	16	5	20	8	32	8	32	6	24	5	20	5	20	5	20
22/22HP	-	-	4	16	5	20	8	32	8	32	6	24	5	20	5	20	5	20
24/24HP	-	-	7	28	7	28	11	44	11	44	8	32	8	32	7	28	7	28
27/27HP	-	-	8	32	8	32	13	52	13	52	10	40	10	40	10	40	10	40
30/30HP	-	-	8	32	8	32	13	52	13	52	10	40	10	40	9	36	9	36
33/33HP	-	-	8	32	8	32	13	52	13	52	10	40	10	40	9	36	9	36
36/36HP	-	-	8	32	8	32	13	52	13	52	9	36	10	40	9	36	9	36
42	-	-	9	36	9	36	14	56	14	56	11	44	11	44	9	36	10	40
48	-	-	10	40	10	40	15	60	15	60	12	48	13	52	10	40	11	44

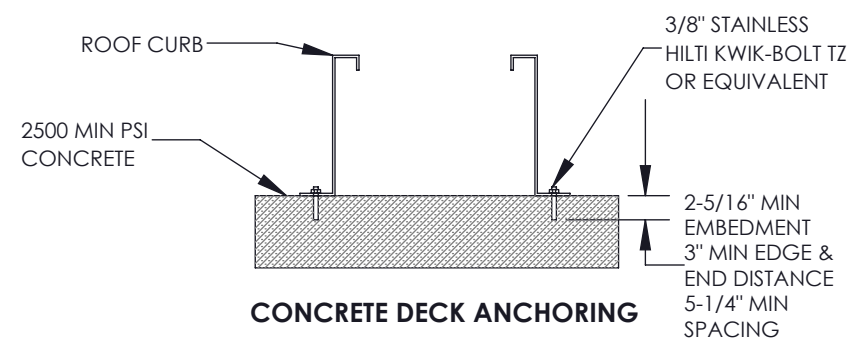
CAD FILE				SSERIESMD				SHEET				9			
REVISIONS										BY	DATE	ECN			
REV	DESCRIPTION														
--	-----									---	--/--/--	-----			
--	-----									---	--/--/--	-----			
--	-----									---	--/--/--	-----			



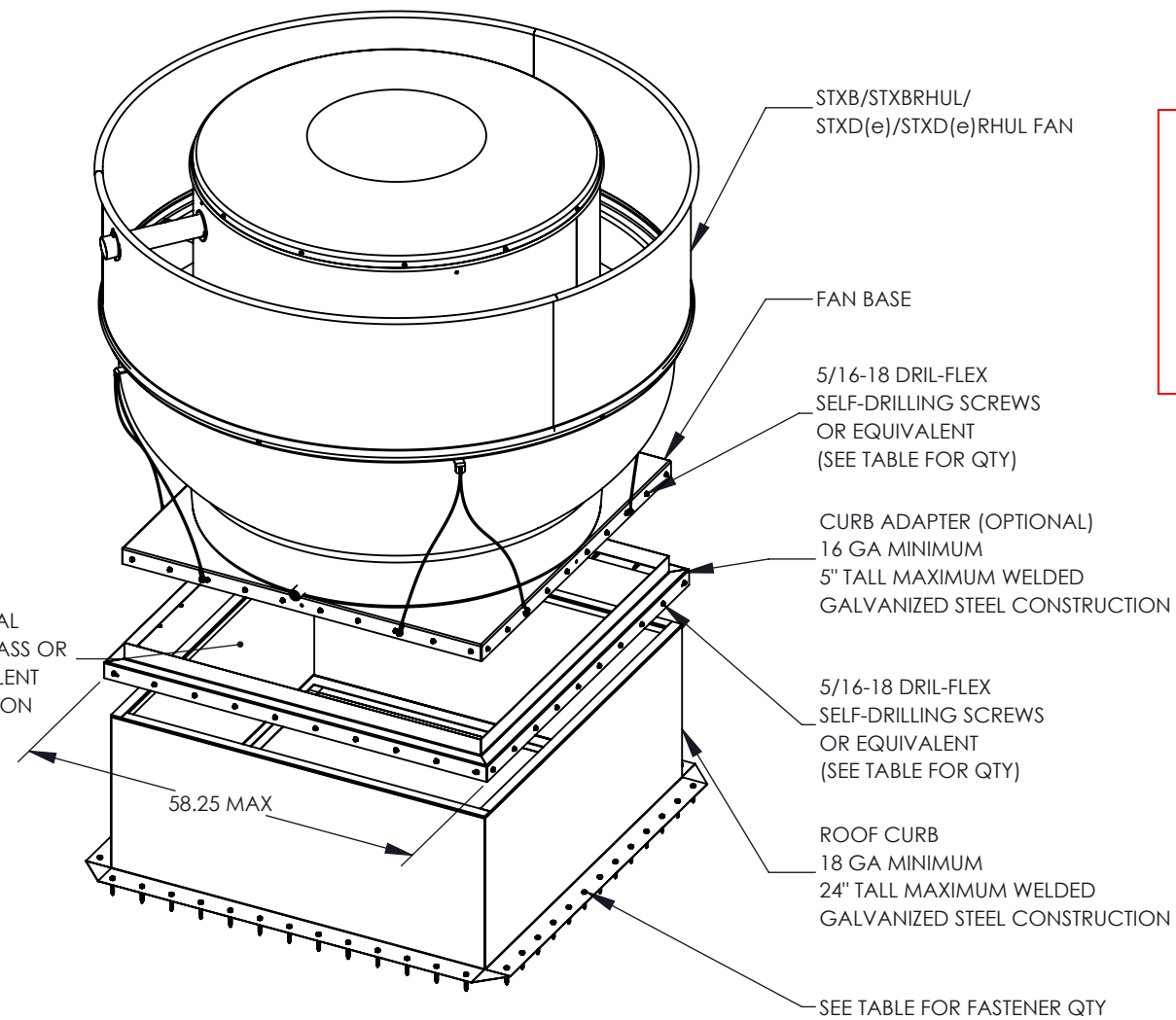
STEEL ANCHORING



TIMBER ANCHORING



CONCRETE DECK ANCHORING



FENESTRATION TESTING LABORATORY INC.

LABORATORY NUMBER: 12235

DATE: 9/3/2020

DRAWINGS VERIFIED BY: LD

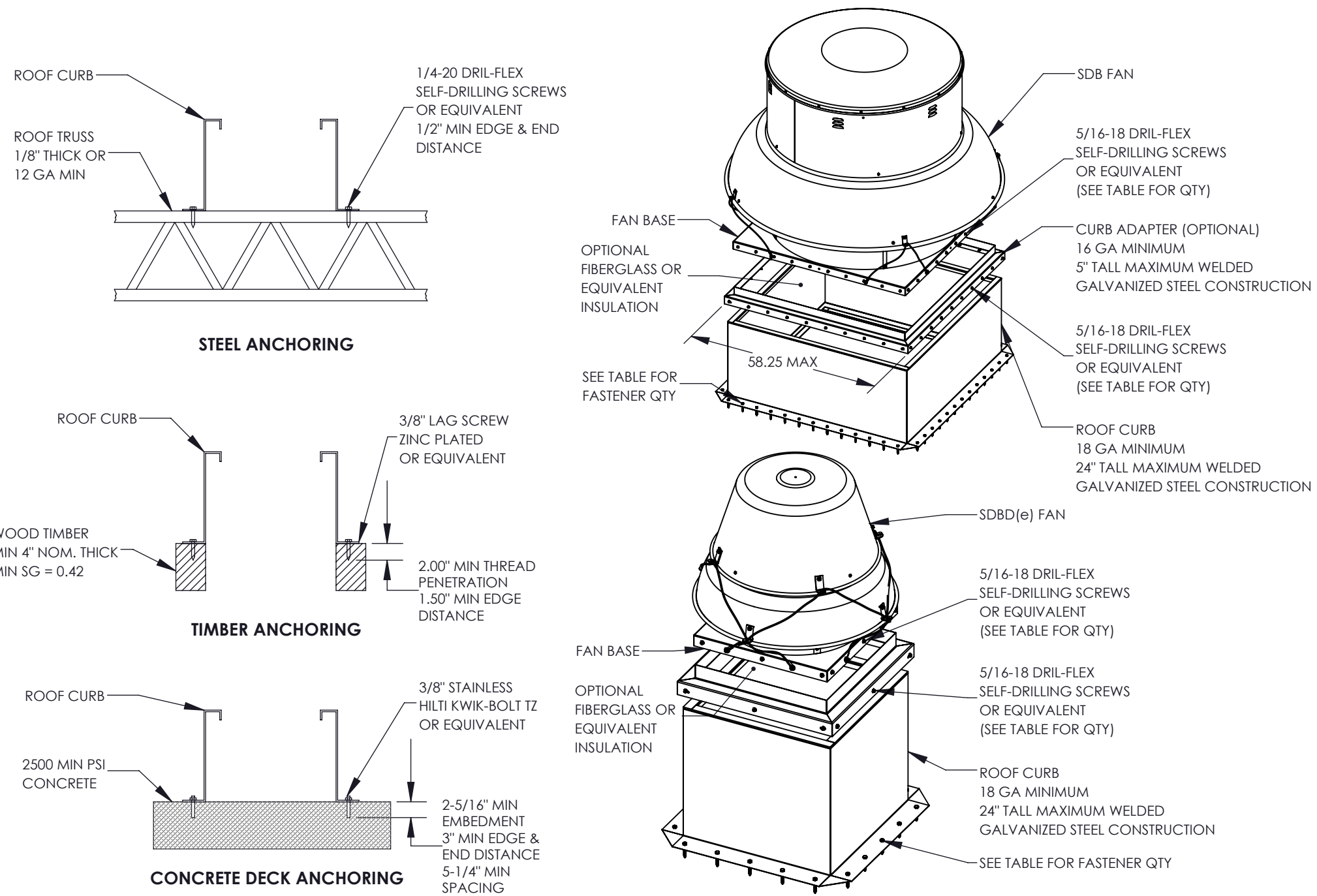
TEST LAB REVIEW
8/8/2020

UNLESS OTHERWISE SPECIFIED DIMENSIONS ARE IN INCHES TOLERANCES ARE		THIRD ANGLE PROJECTION			
FRACTIONS ± 1/16	DECIMALS XX ± .03 XXX ± .005	ANGLES ± 1°			
MATERIAL	ESTIMATED WEIGHT(LB)	PROJECT NO.	APPROVALS	DATE	S&P USA JACKSONVILLE, FLORIDA STXB/STXBRHUL/STXD/STXDRHUL ROOF CURB MOUNTING
			DRAWN BY JX	3/26/2020	
			CHECKED BY ---	---	
SCALE: 1:30 DO NOT SCALE DRAWING					SHEET 9 OF 10

SDB MODEL SIZE	SDBD/SDBDe MODEL SIZE	FAN TO CURB FASTENER QTY				CURB TO STEEL FASTENER QTY				CURB TO TIMBER FASTENER QTY				CURB TO CONCRETE FASTENER QTY			
		FAN BASE		W/ CURB ADAPTER		NO CURB ADAPTER		W/ CURB ADAPTER		NO CURB ADAPTER		W/ CURB ADAPTER		NO CURB ADAPTER		W/ CURB ADAPTER	
		QTY PER SIDE	TOTAL	QTY PER SIDE	TOTAL	QTY PER SIDE	TOTAL	QTY PER SIDE	TOTAL	QTY PER SIDE	TOTAL	QTY PER SIDE	TOTAL	QTY PER SIDE	TOTAL	QTY PER SIDE	TOTAL
6	06/06C	3	12	3	12	5	20	5	20	4	16	4	16	3	12	3	12
7	07	3	12	3	12	5	20	5	20	4	16	4	16	3	12	3	12
8	08	3	12	3	12	5	20	5	20	4	16	4	16	3	12	3	12
10	10	3	12	3	12	5	20	5	20	4	16	4	16	3	12	3	12
12	12	3	12	3	12	6	24	6	24	4	16	4	16	4	16	4	16
14	14/1410/1475	3	12	3	12	6	24	6	24	4	16	4	16	4	16	4	16
15	15/1515/1575	3	12	3	12	6	24	6	24	5	20	5	20	4	16	4	16
16	16/1615	3	12	3	12	6	24	6	24	5	20	5	20	4	16	4	16
18	-	3	12	4	16	7	28	7	28	5	20	5	20	4	16	5	20
20	-	4	16	4	16	8	32	8	32	6	24	6	24	5	20	5	20
22	-	4	16	4	16	8	32	8	32	6	24	6	24	5	20	5	20
24	-	6	24	6	24	10	40	10	40	7	28	8	32	6	24	7	28
27	-	6	24	6	24	10	40	10	40	8	32	8	32	7	28	7	28
30	-	6	24	6	24	10	40	11	44	8	32	8	32	7	28	7	28
33	-	6	24	6	24	10	40	11	44	8	32	8	32	7	28	7	28
36	-	7	28	7	28	11	44	11	44	9	36	9	36	8	32	8	32
42	-	7	28	8	32	12	48	12	48	10	40	10	40	8	32	9	36
48	-	9	36	9	36	14	56	14	56	11	44	12	48	10	40	10	40

CAD FILE	SSERIESMD			SHEET	10
REVISIONS					
REV	DESCRIPTION	BY	DATE	ECN	
--	-----	---	--/--/--	-----	
--	-----	---	--/--/--	-----	
--	-----	---	--/--/--	-----	

TEST LAB REVIEW
8/8/2020



FENESTRATION TESTING LABORATORY INC.

LABORATORY NUMBER: 12235

DATE: 9/3/2020

DRAWINGS VERIFIED BY: LD

UNLESS OTHERWISE SPECIFIED DIMENSIONS ARE IN INCHES TOLERANCES ARE		THIRD ANGLE PROJECTION		
FRACTIONS ± 1/16	DECIMALS XX ± .03 XXX ± .005	ANGLES ± 1°		
MATERIAL	ESTIMATED WEIGHT(LB)	PROJECT NO.	APPROVALS	DATE
	EST. SHIPPING DIMS (INCH)	DRAWN BY JX	CHECKED BY ---	3/26/2020
S&P USA				REV. A
JACKSONVILLE, FLORIDA				SCALE: 1:30 DO NOT SCALE DRAWING
SDB/SDBD/SDBDe				SHEET 10 OF 10
ROOF CURB MOUNTING				
B SSERIESMD				